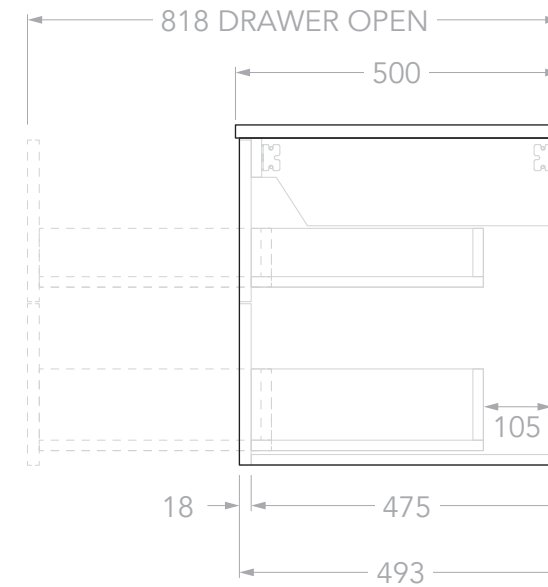
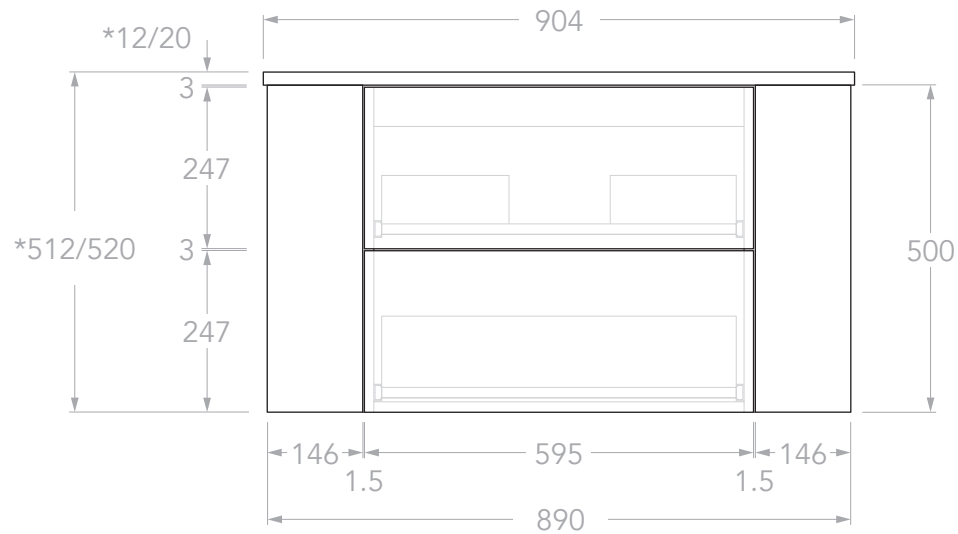
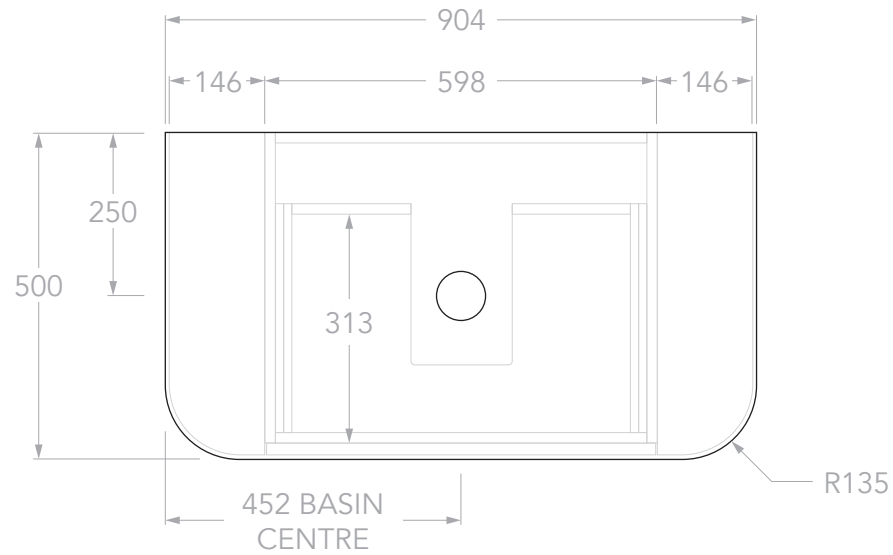


PRODUCT:	THIRROUL 750 CENTRE	TOP:	CHERRY PIE / DURASEIN / CAESARSTONE
SIZE:	752W x 500D x *512/520H	BASIN POSITION:	CENTRE
CONFIGURATION:	ALL DRAWER, WALL HUNG	CODE:	THIFAW0750WHCCP - (CHERRY PIE) THIFAW0750WHCDU - (DURASEIN) THIFAW0750WHCCS - (CAESARSTONE)
VERSION: 01	DATE: 12/09/2024		

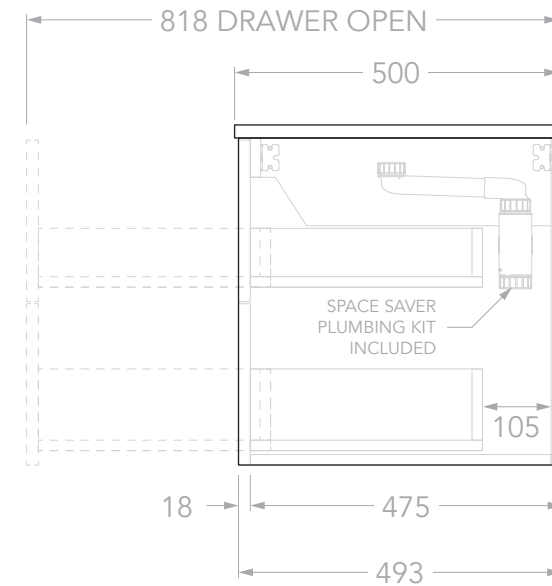
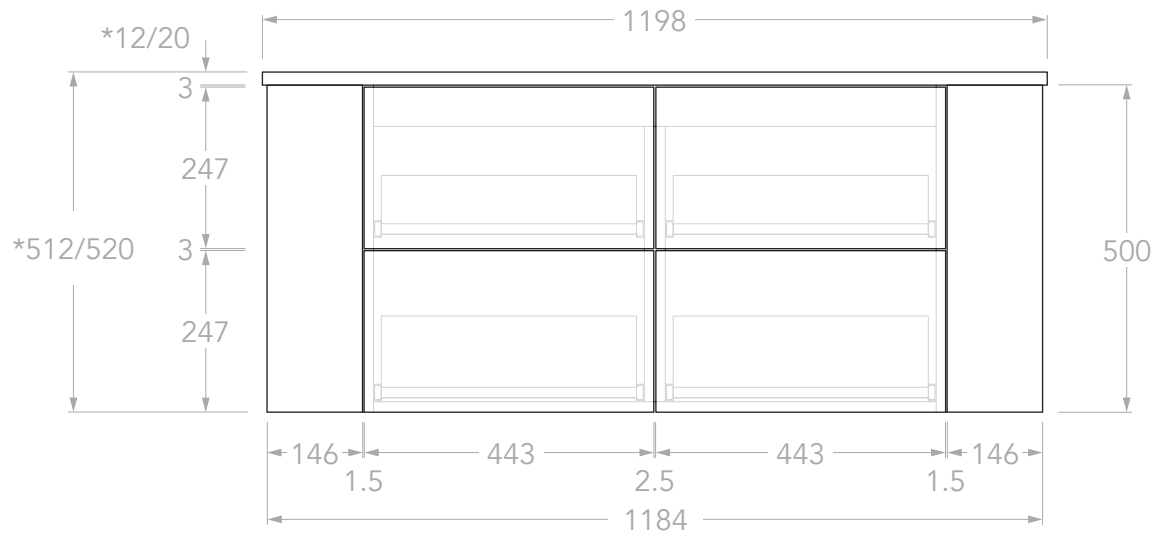
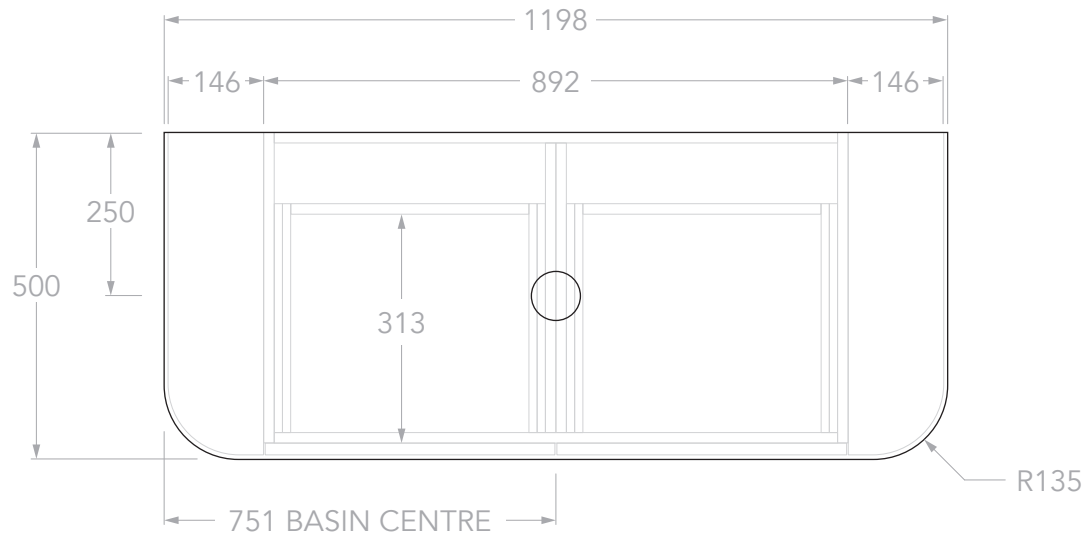
**NOTES:**  
 DIMENSIONS ARE NOMINAL. DO NOT DRILL OR ROUGH IN UNTIL YOU HAVE RECEIVED AND MEASURED YOUR VANITY.  
 ALL DIMENSIONS ARE IN MILLIMETRES. DO NOT MEASURE FROM DRAWING.  
 \*FOR DURASEIN FINISHES 12MM MATERIAL THICKNESS. 20MM THICKNESS FOR ALL OTHER BENCHTOP FINISHES.



PRODUCT:	THIRROUL 900 CENTRE	TOP:	CHERRY PIE / DURASEIN / CAESARSTONE
SIZE:	1198W x 500D x *512/520H	BASIN POSITION:	CENTRE
CONFIGURATION:	ALL DRAWER, WALL HUNG	CODE:	THIFAW0900WHCCP - (CHERRY PIE) THIFAW0900WHCDU - (DURASEIN) THIFAW0900WHCCS - (CAESARSTONE)
VERSION: 01	DATE: 12/09/2024		

**NOTES:**

DIMENSIONS ARE NOMINAL. DO NOT DRILL OR ROUGH IN UNTIL YOU HAVE RECEIVED AND MEASURED YOUR VANITY.  
ALL DIMENSIONS ARE IN MILLIMETRES. DO NOT MEASURE FROM DRAWING.  
\*FOR DURASEIN FINISHES 12MM MATERIAL THICKNESS. 20MM THICKNESS FOR ALL OTHER BENCHTOP FINISHES.



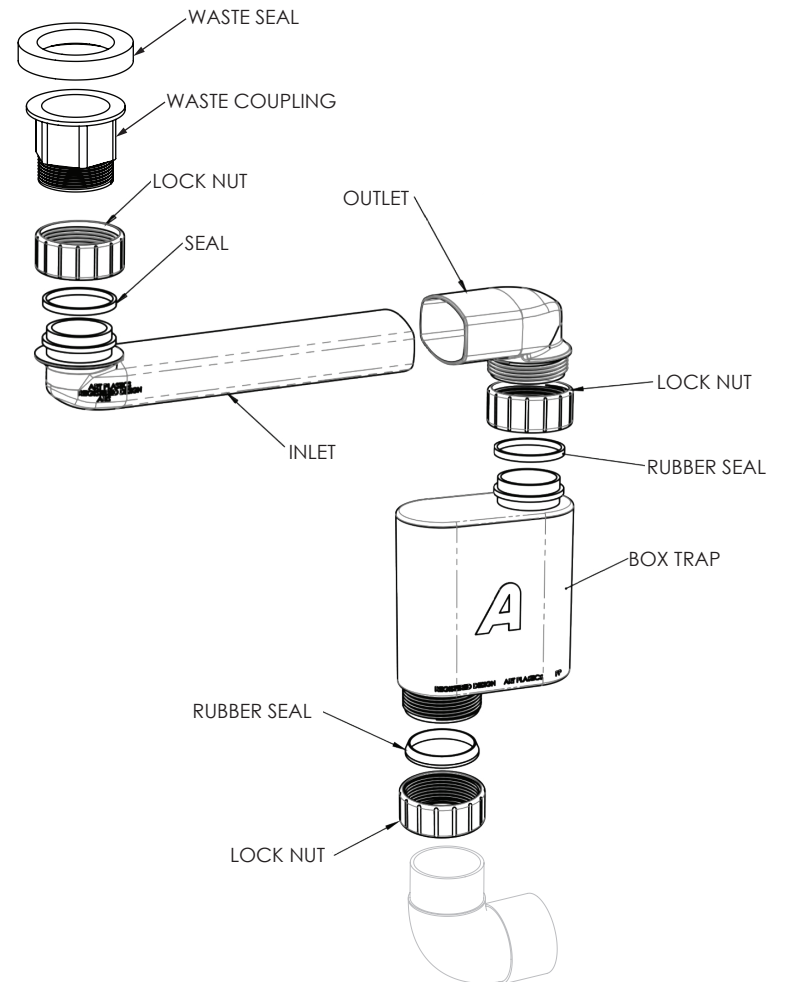
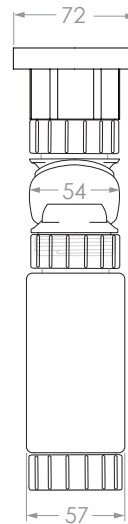
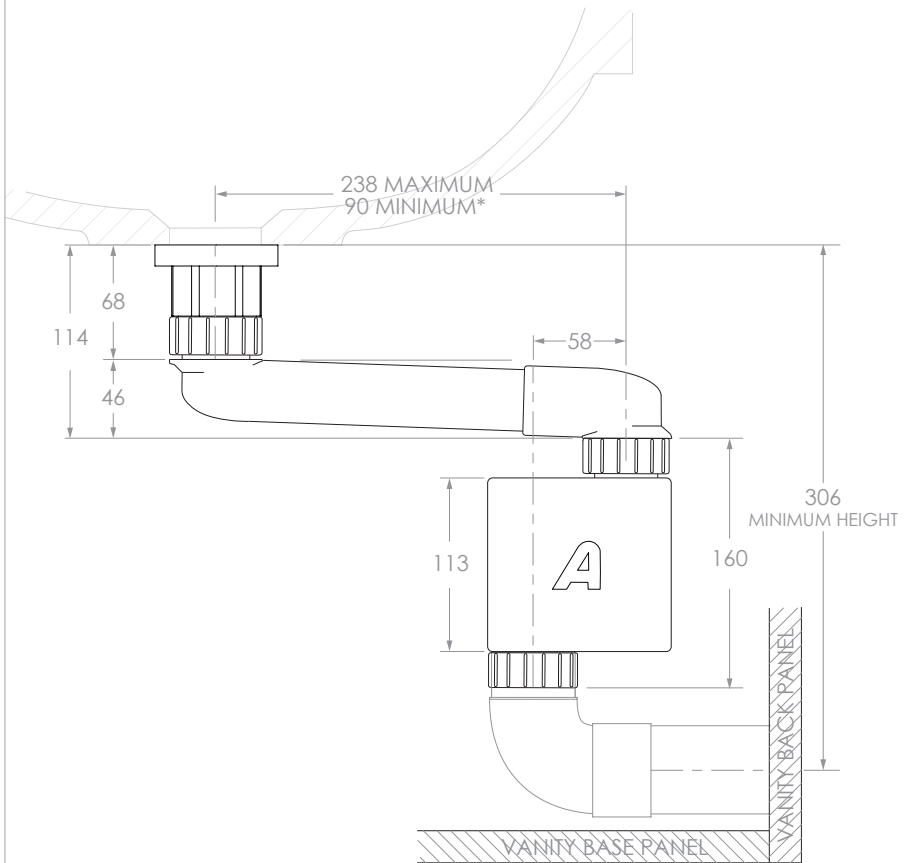
PRODUCT:	THIRROUL 1200 CENTRE	TOP:	CHERRY PIE / DURASEIN / CAESARSTONE
SIZE:	1198W x 500D x *512/520H	BASIN POSITION:	CENTRE
CONFIGURATION:	ALL DRAWER, WALL HUNG	CODE:	THIFAW1200WHCCP - (CHERRY PIE) THIFAW1200WHCDU - (DURASEIN) THIFAW1200WHCCS - (CAESARSTONE)
VERSION: 01	DATE: 12/09/2024		

**NOTES:**

DIMENSIONS ARE NOMINAL. DO NOT DRILL OR ROUGH IN UNTIL YOU HAVE RECEIVED AND MEASURED YOUR VANITY.

ALL DIMENSIONS ARE IN MILLIMETRES. DO NOT MEASURE FROM DRAWING.

\*FOR DURASEIN FINISHES 12MM MATERIAL THICKNESS. 20MM THICKNESS FOR ALL OTHER BENCHTOP FINISHES.

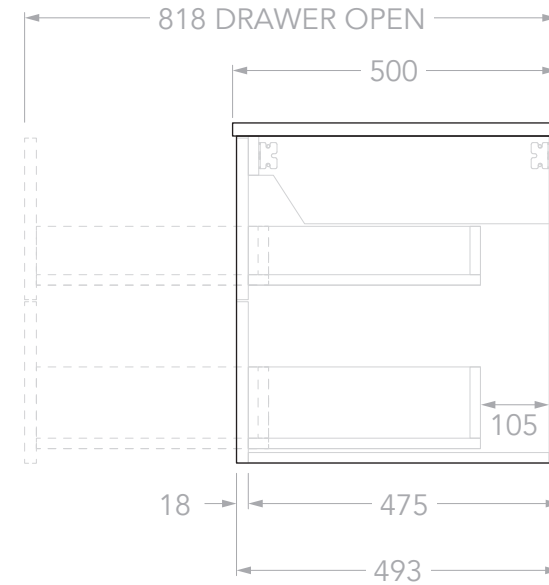
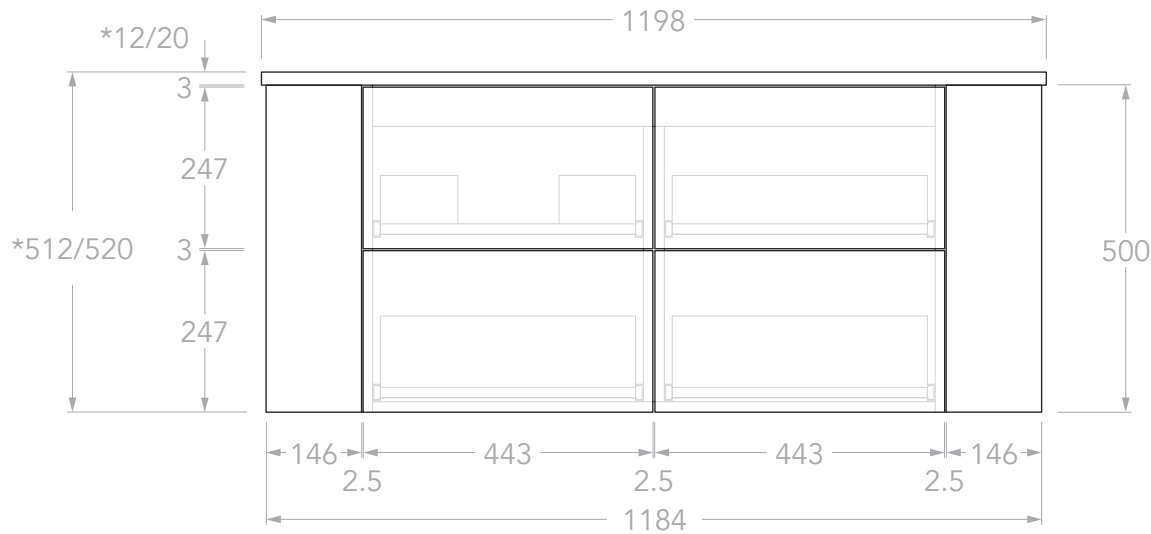
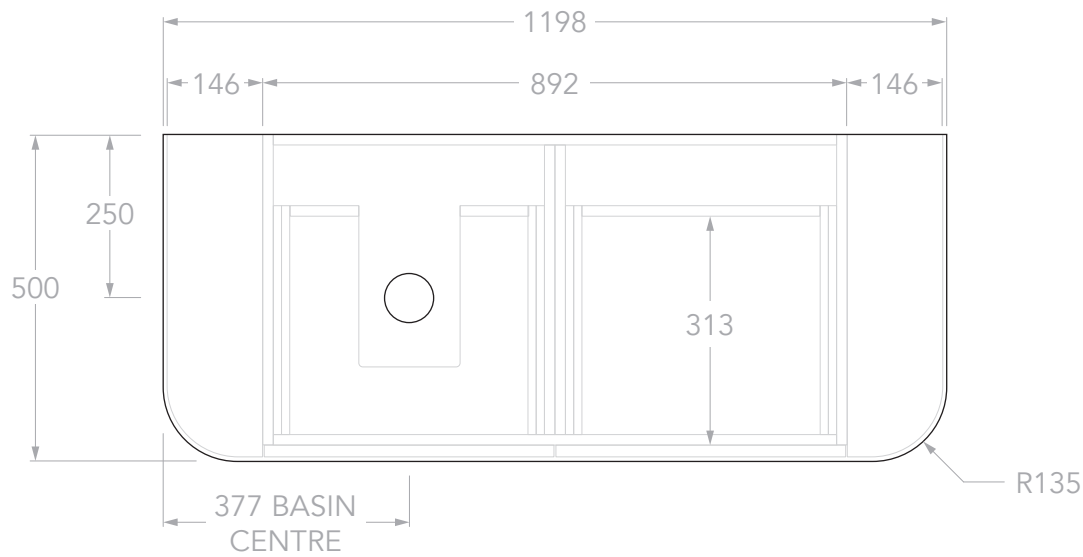


PRODUCT:	SPACE SAVER PLUMBING KIT
CODE:	SPCSVRKIT40
OUTLET SIZE:	40MM
VERSION: 02	DATE: 29/06/2023

FINISH: WHITE

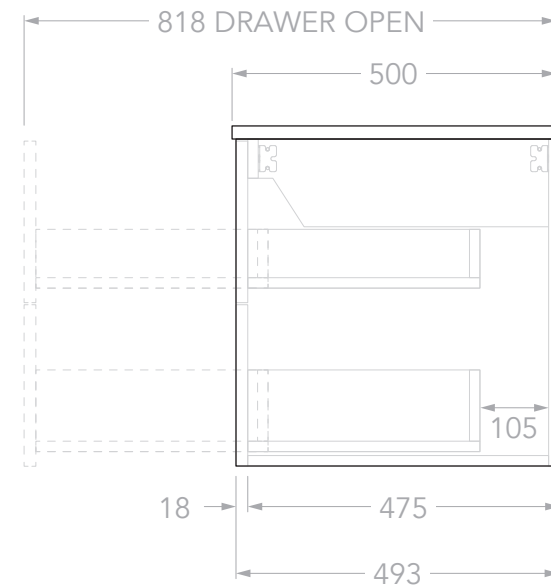
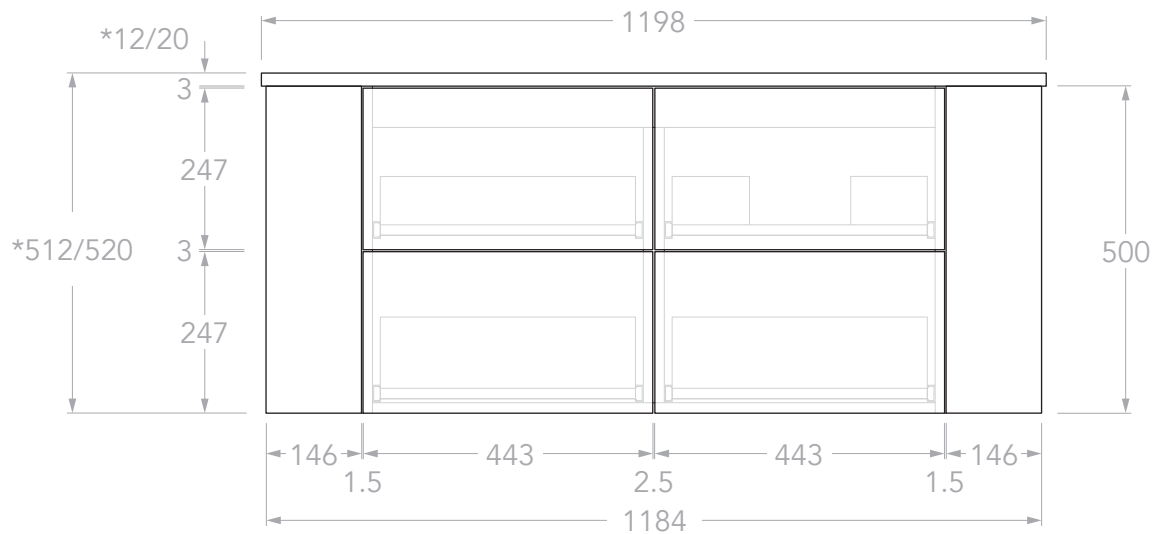
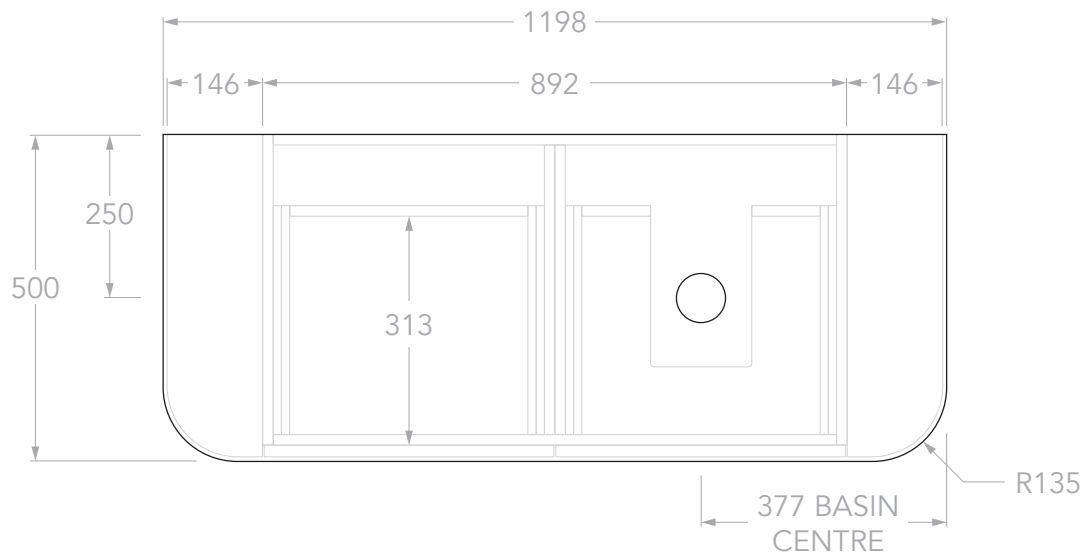
**NOTES:**  
 DIMENSIONS ARE NOMINAL. DO NOT DRILL OR ROUGH IN UNTIL YOU HAVE RECEIVED AND MEASURED YOUR VANITY.  
 ALL DIMENSIONS ARE IN MILLIMETRES. DO NOT MEASURE FROM DRAWING.  
 SPACE SAVER PLUMBING KIT INCLUDED TO CONCEAL PLUMBING BEHIND DRAWER. PLEASE NOTE THAT THE BOX TRAP IS NOT COMPATIBLE WITH ALL BASINS. RECOMMEND USING A SHORT TRAP FOR SEMI INSET BASINS.





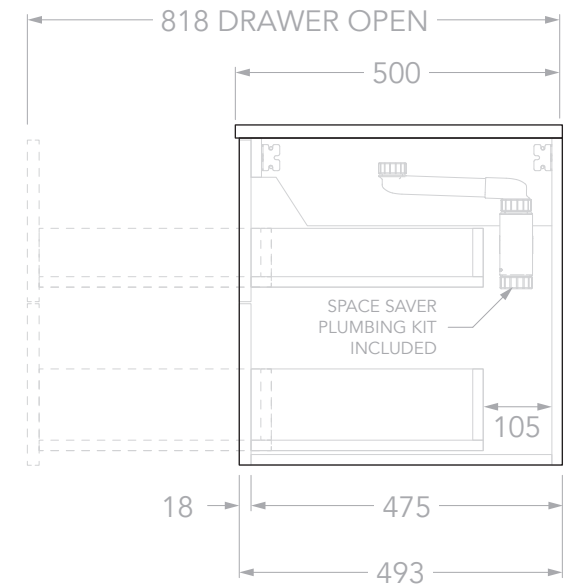
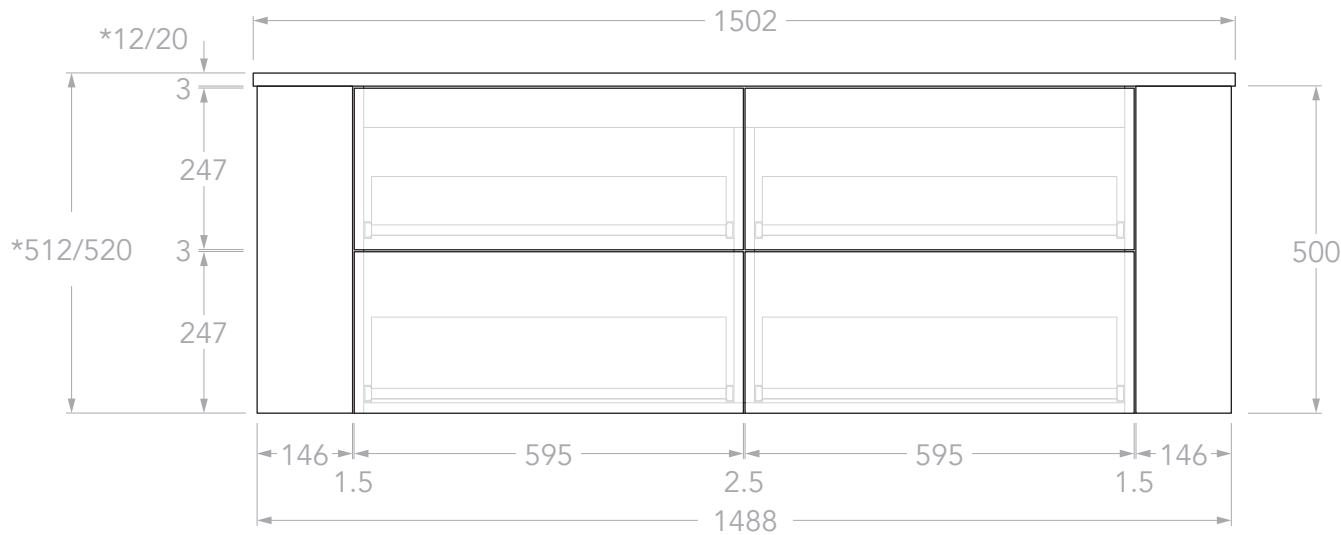
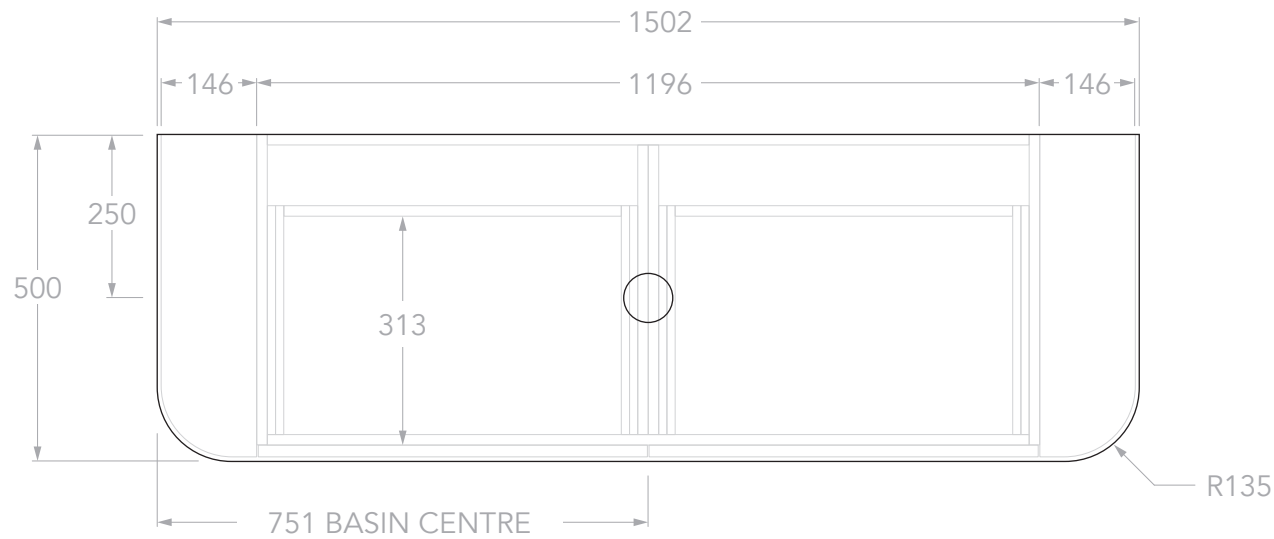
PRODUCT:	THIRROUL 1200 LEFT	TOP:	CHERRY PIE / DURASEIN / CAESARSTONE
SIZE:	1198W x 500D x *512/520H	BASIN POSITION:	LEFT
CONFIGURATION:	ALL DRAWER, WALL HUNG	CODE:	THIFAW1200WHLCP - (CHERRY PIE) THIFAW1200WHLDU - (DURASEIN) THIFAW1200WHLCS - (CAESARSTONE)
VERSION: 01	DATE: 12/09/2024		

**NOTES:**  
 DIMENSIONS ARE NOMINAL. DO NOT DRILL OR ROUGH IN UNTIL YOU HAVE RECEIVED AND MEASURED YOUR VANITY.  
 ALL DIMENSIONS ARE IN MILLIMETRES. DO NOT MEASURE FROM DRAWING.  
 \*FOR DURASEIN FINISHES 12MM MATERIAL THICKNESS. 20MM THICKNESS FOR ALL OTHER BENCHTOP FINISHES.



PRODUCT:	THIRROUL 1200 RIGHT	TOP:	CHERRY PIE / DURASEIN / CAESARSTONE
SIZE:	1198W x 500D x *512/520H	BASIN POSITION:	RIGHT
CONFIGURATION:	ALL DRAWER, WALL HUNG	CODE:	THIFAW1200WHRCP - (CHERRY PIE) THIFAW1200WHRDU - (DURASEIN) THIFAW1200WHRCS - (CAESARSTONE)
VERSION: 01	DATE: 12/09/2024		

**NOTES:**  
 DIMENSIONS ARE NOMINAL. DO NOT DRILL OR ROUGH IN UNTIL YOU HAVE RECEIVED AND MEASURED YOUR VANITY.  
 ALL DIMENSIONS ARE IN MILLIMETRES. DO NOT MEASURE FROM DRAWING.  
 \*FOR DURASEIN FINISHES 12MM MATERIAL THICKNESS. 20MM THICKNESS FOR ALL OTHER BENCHTOP FINISHES.

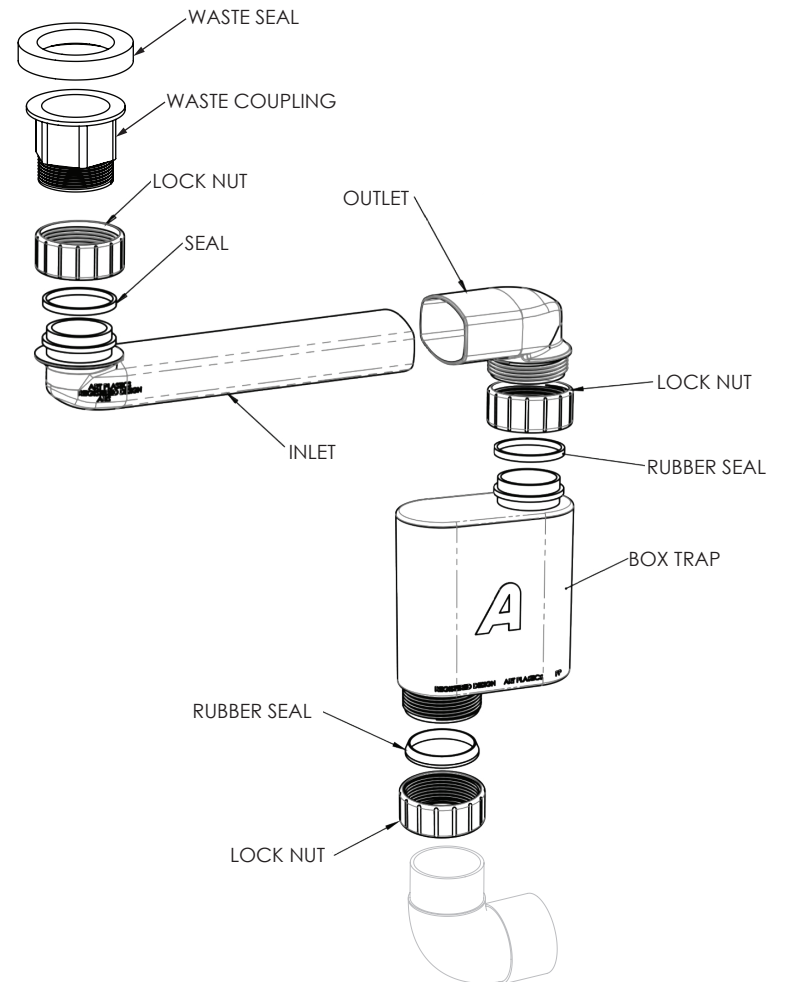
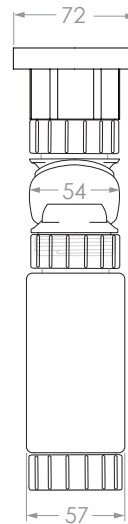
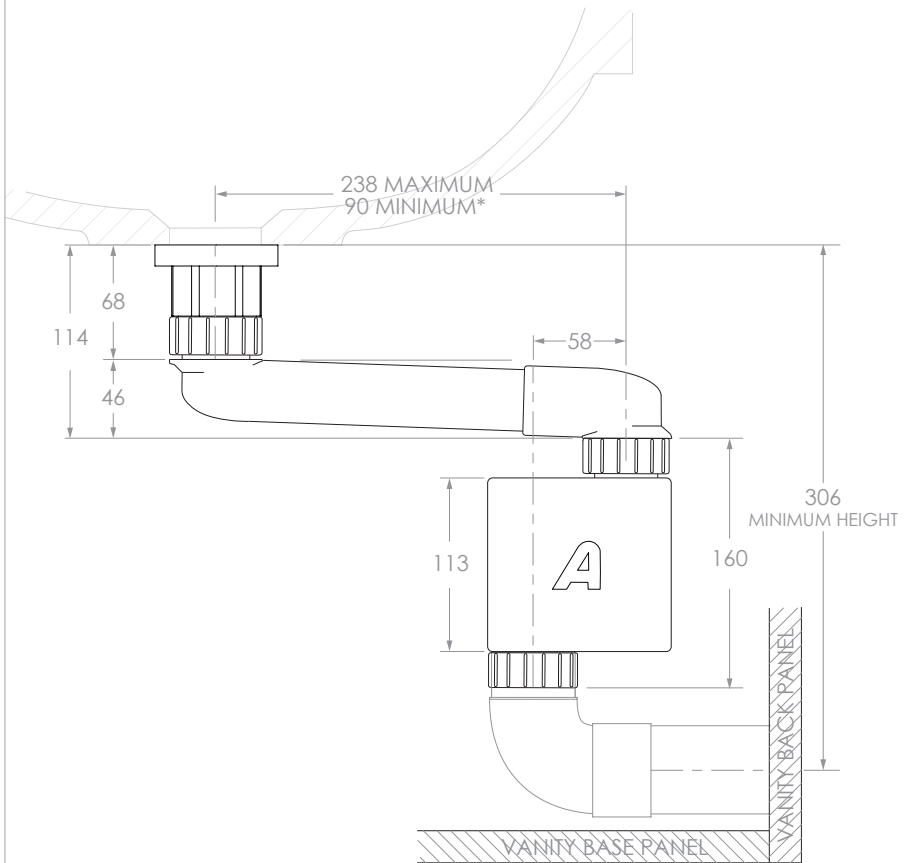


<b>PRODUCT:</b>	THIRROUL 1500 CENTRE	<b>TOP:</b>	CHERRY PIE / DURASEIN / CAESARSTONE
<b>SIZE:</b>	1502W x 500D x *512/520H	<b>BASIN POSITION:</b>	CENTRE
<b>CONFIGURATION:</b>	ALL DRAWER, WALL HUNG	<b>CODE:</b>	THIFAW1500WHCCP - (CHERRY PIE) THIFAW1500WHCDU - (DURASEIN) THIFAW1500WHCCS - (CAESARSTONE)
<b>VERSION:</b> 01	DATE: 12/09/2024		

**NOTES:**

DIMENSIONS ARE NOMINAL. DO NOT DRILL OR ROUGH IN UNTIL YOU HAVE RECEIVED AND MEASURED YOUR VANITY. ALL DIMENSIONS ARE IN MILLIMETRES. DO NOT MEASURE FROM DRAWING.

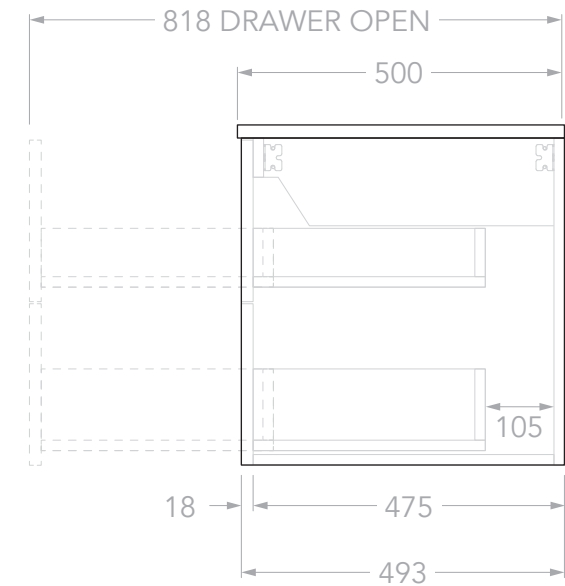
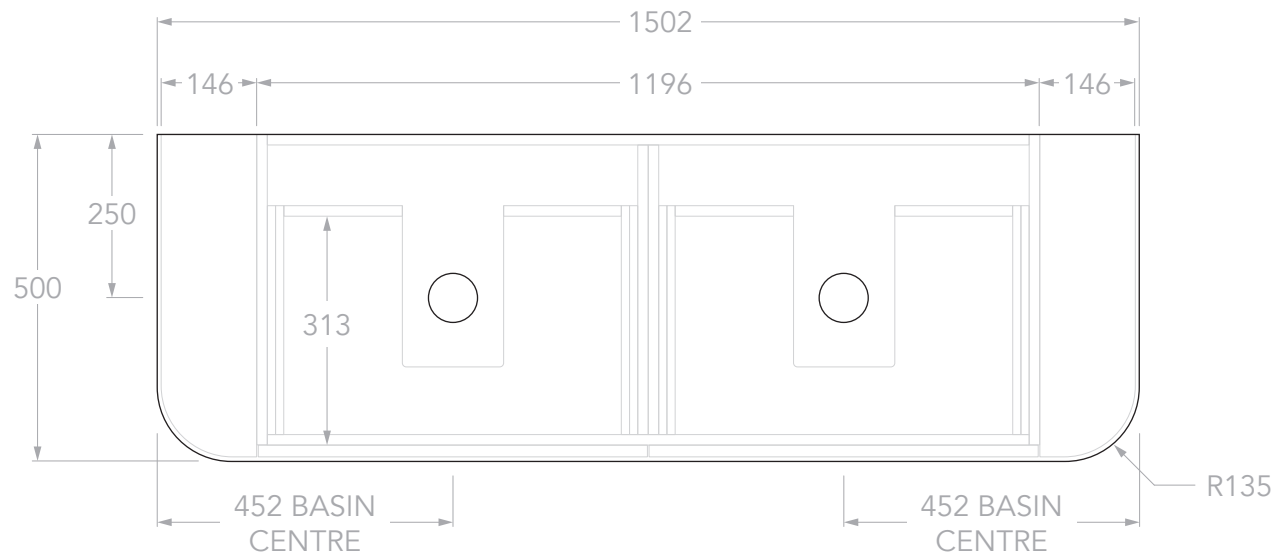
\*FOR DURASEIN FINISHES 12MM MATERIAL THICKNESS. 20MM THICKNESS FOR ALL OTHER BENCHTOP FINISHES.



PRODUCT:	SPACE SAVER PLUMBING KIT
CODE:	SPCSVRKIT40
OUTLET SIZE:	40MM
VERSION: 02	DATE: 29/06/2023

FINISH: WHITE

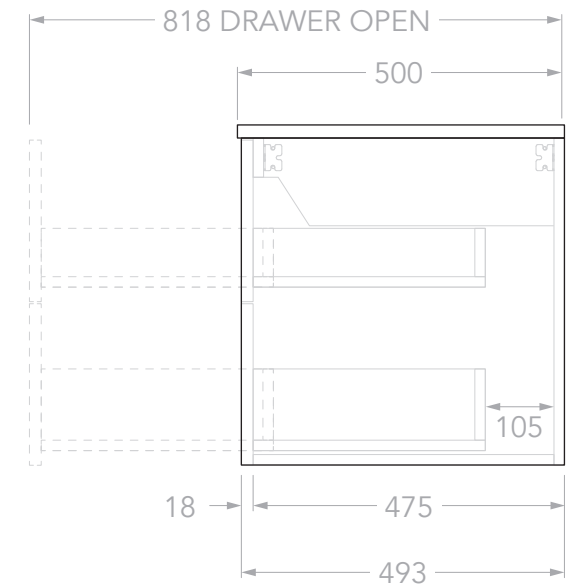
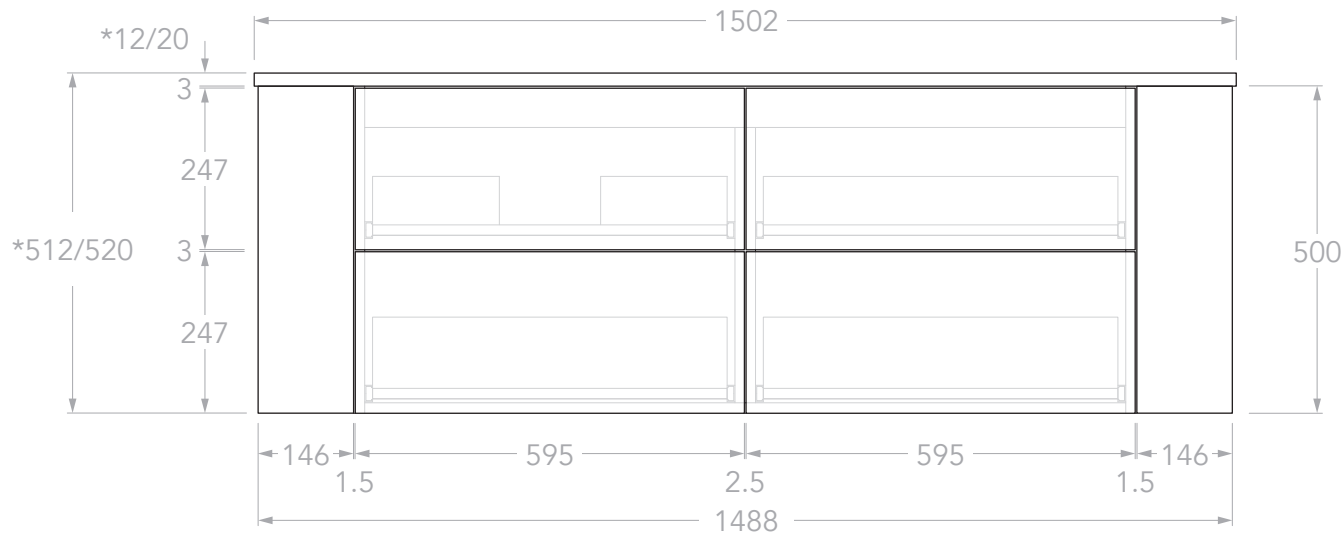
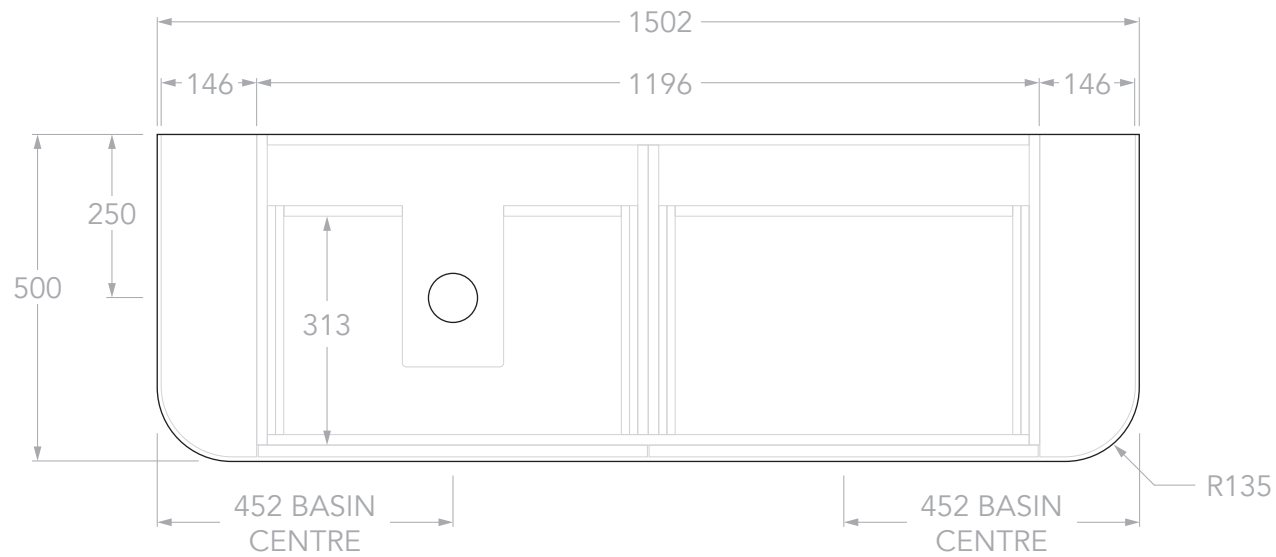
**NOTES:**  
 DIMENSIONS ARE NOMINAL. DO NOT DRILL OR ROUGH IN UNTIL YOU HAVE RECEIVED AND MEASURED YOUR VANITY.  
 ALL DIMENSIONS ARE IN MILLIMETRES. DO NOT MEASURE FROM DRAWING.  
 SPACE SAVER PLUMBING KIT INCLUDED TO CONCEAL PLUMBING BEHIND DRAWER. PLEASE NOTE THAT THE BOX TRAP IS NOT COMPATIBLE WITH ALL BASINS. RECOMMEND USING A SHORT TRAP FOR SEMI INSET BASINS.



**Adp**

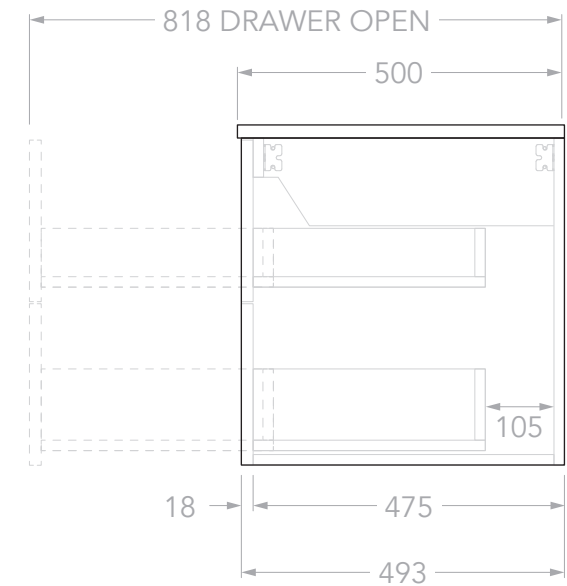
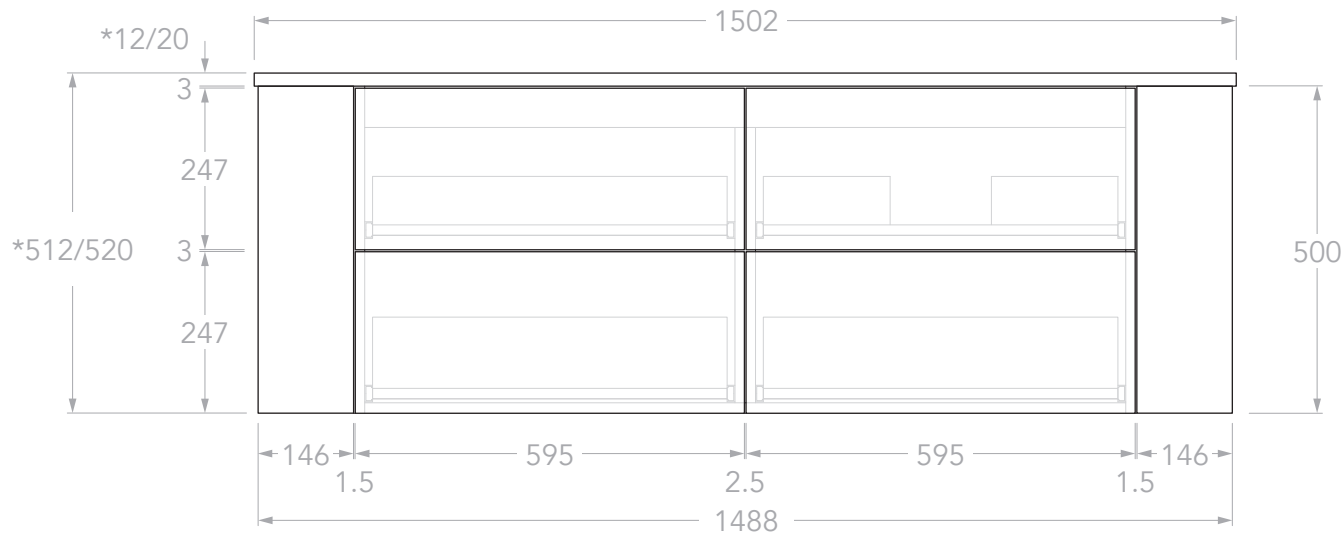
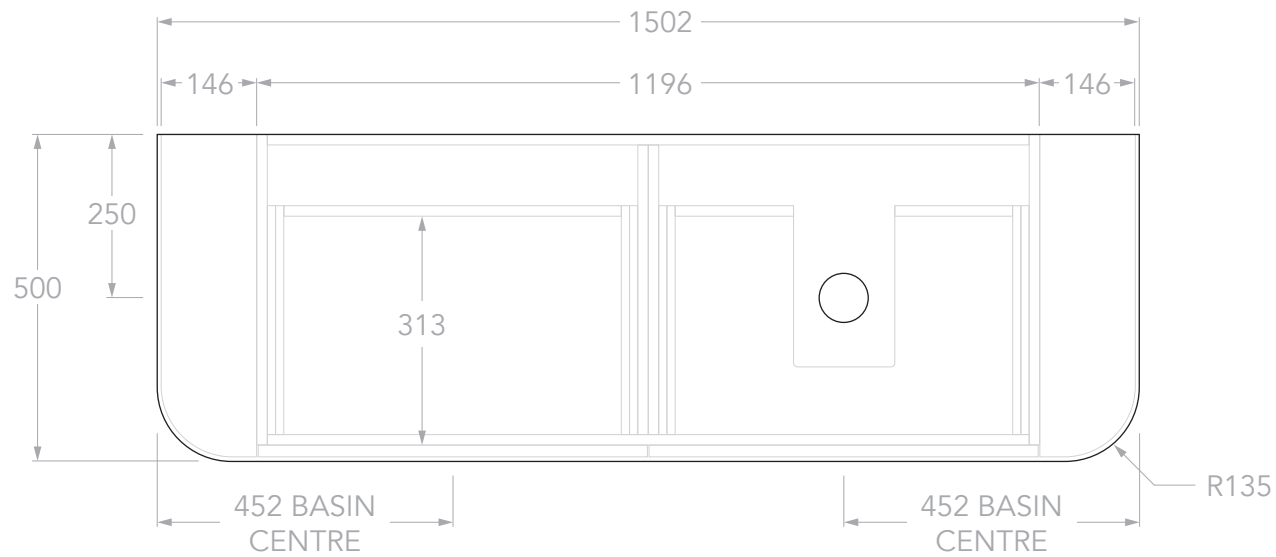
<b>PRODUCT:</b>	THIRROUL 1500 DOUBLE	<b>TOP:</b>	CHERRY PIE / DURASEIN / CAESARSTONE
<b>SIZE:</b>	1502W x 500D x *512/520H	<b>BASIN POSITION:</b>	DOUBLE
<b>CONFIGURATION:</b>	ALL DRAWER, WALL HUNG	<b>CODE:</b>	THIFAW1500WHDCP - (CHERRY PIE) THIFAW1500WHDDU - (DURASEIN) THIFAW1500WHDCS - (CAESARSTONE)
<b>VERSION:</b> 01	DATE: 12/09/2024		

**NOTES:**  
DIMENSIONS ARE NOMINAL. DO NOT DRILL OR ROUGH IN UNTIL YOU HAVE RECEIVED AND MEASURED YOUR VANITY.  
ALL DIMENSIONS ARE IN MILLIMETRES. DO NOT MEASURE FROM DRAWING.  
\*FOR DURASEIN FINISHES 12MM MATERIAL THICKNESS. 20MM THICKNESS FOR ALL OTHER BENCHTOP FINISHES.



PRODUCT:	THIRROUL 1500 LEFT	TOP:	CHERRY PIE / DURASEIN / CAESARSTONE
SIZE:	1502W x 500D x *512/520H	BASIN POSITION:	LEFT
CONFIGURATION:	ALL DRAWER, WALL HUNG	CODE:	THIFAW1500WHLCP - (CHERRY PIE) THIFAW1500WHLDU - (DURASEIN) THIFAW1500WHLCS - (CAESARSTONE)
VERSION: 01	DATE: 12/09/2024		

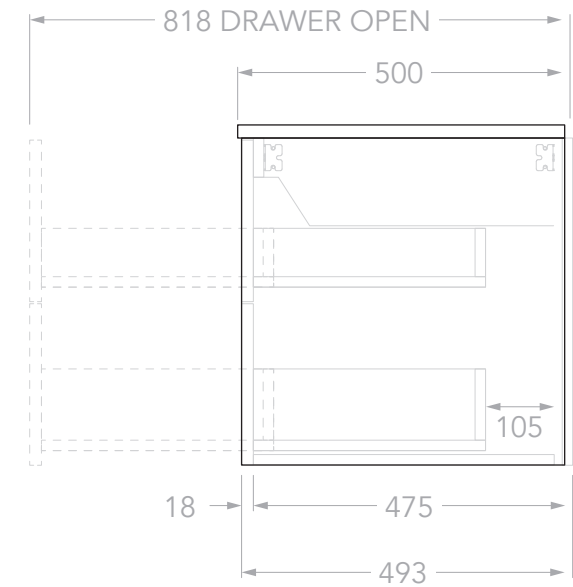
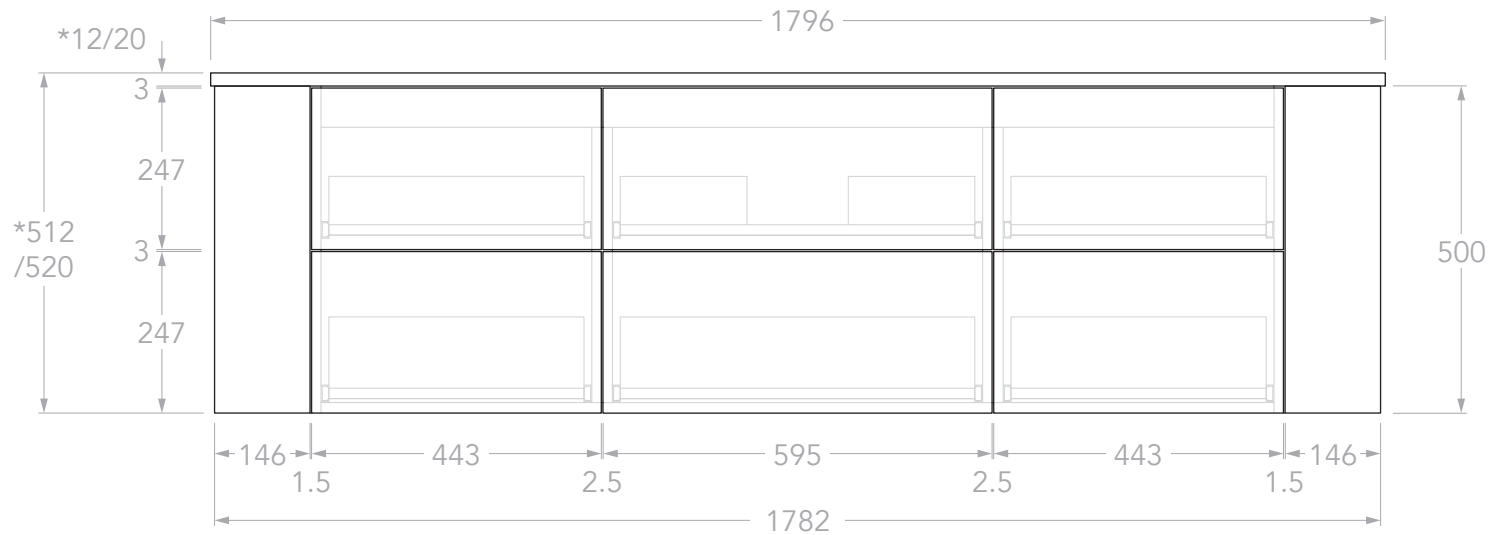
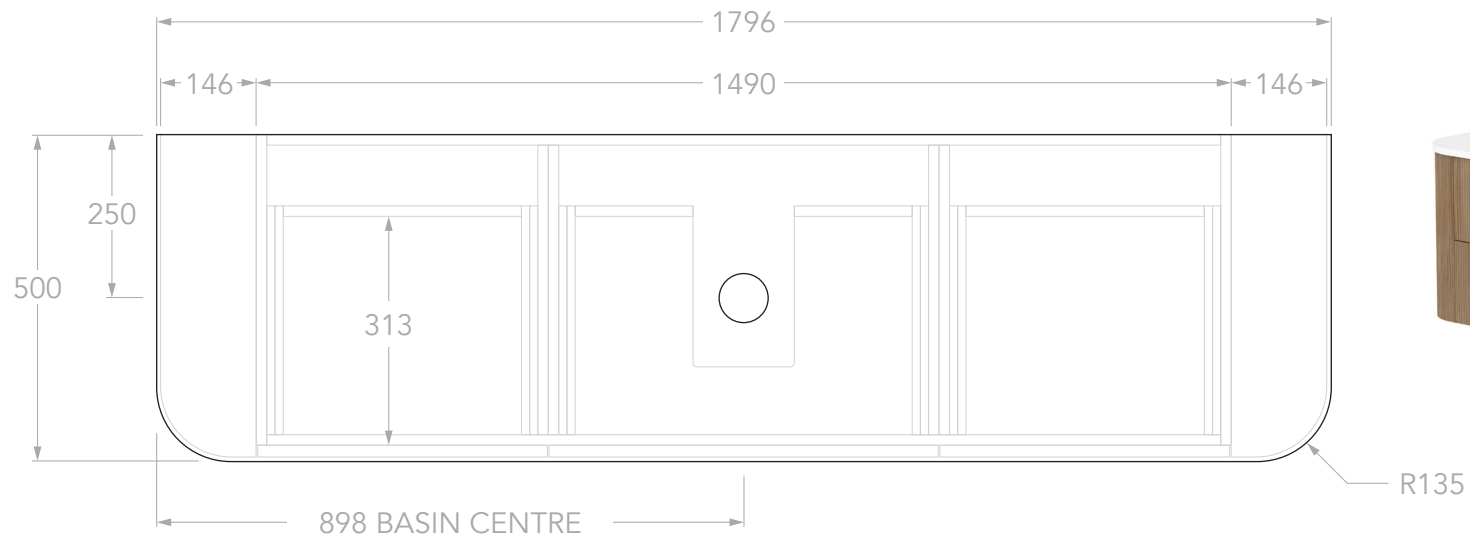
**NOTES:**  
 DIMENSIONS ARE NOMINAL. DO NOT DRILL OR ROUGH IN UNTIL YOU HAVE RECEIVED AND MEASURED YOUR VANITY.  
 ALL DIMENSIONS ARE IN MILLIMETRES. DO NOT MEASURE FROM DRAWING.  
 \*FOR DURASEIN FINISHES 12MM MATERIAL THICKNESS. 20MM THICKNESS FOR ALL OTHER BENCHTOP FINISHES.



PRODUCT:	THIRROUL 1500 RIGHT	TOP:	CHERRY PIE / DURASEIN / CAESARSTONE
SIZE:	1502W x 500D x *512/520H	BASIN POSITION:	RIGHT
CONFIGURATION:	ALL DRAWER, WALL HUNG	CODE:	THIFAW1500WHRCP - (CHERRY PIE) THIFAW1500WHRDU - (DURASEIN) THIFAW1500WHRCS - (CAESARSTONE)
VERSION: 01	DATE: 12/09/2024		

**NOTES:**

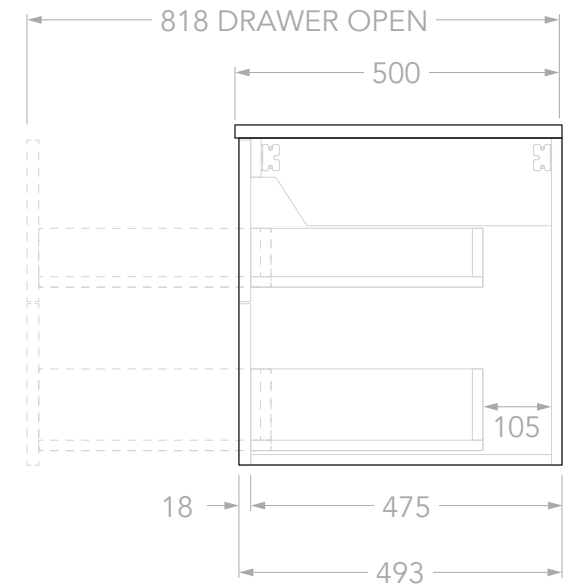
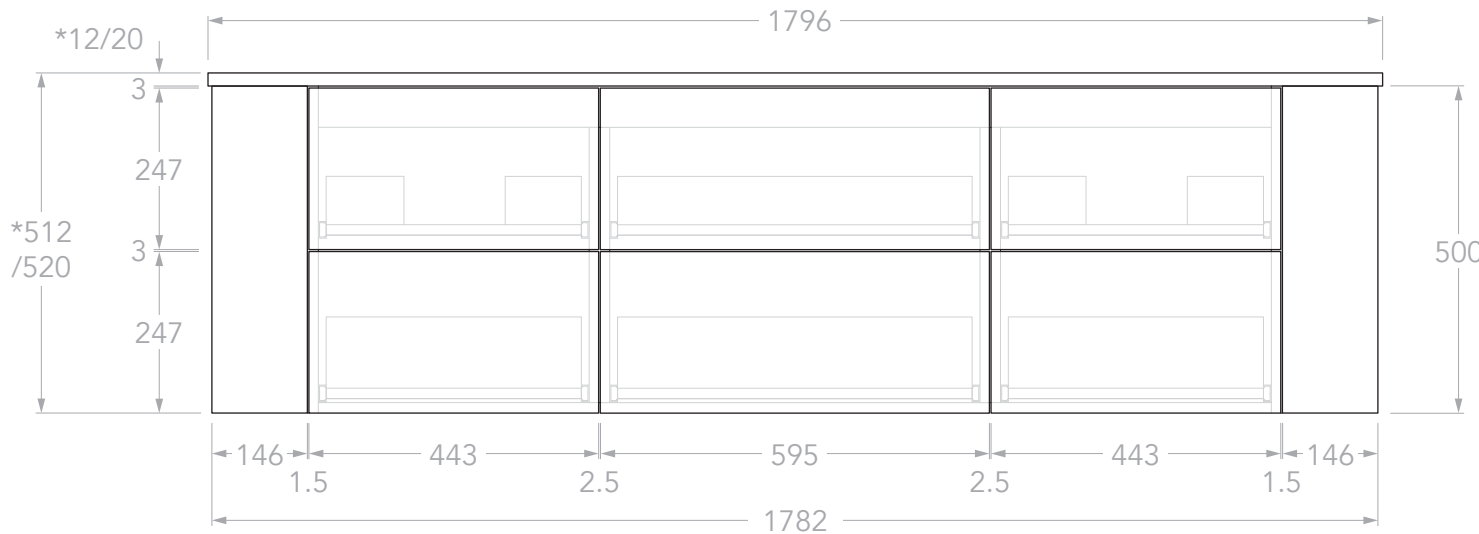
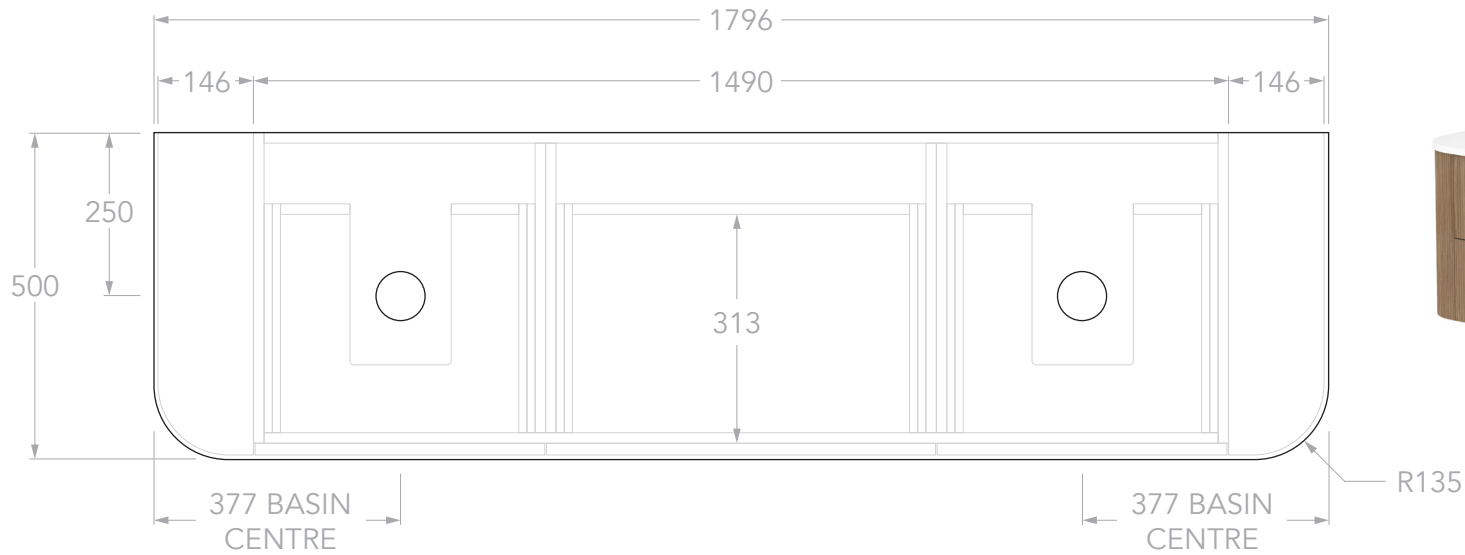
DIMENSIONS ARE NOMINAL. DO NOT DRILL OR ROUGH IN UNTIL YOU HAVE RECEIVED AND MEASURED YOUR VANITY.  
 ALL DIMENSIONS ARE IN MILLIMETRES. DO NOT MEASURE FROM DRAWING.  
 \*FOR DURASEIN FINISHES 12MM MATERIAL THICKNESS. 20MM THICKNESS FOR ALL OTHER BENCHTOP FINISHES.



<b>PRODUCT:</b>	THIRROUL 1800 CENTRE	<b>TOP:</b>	CHERRY PIE / DURASEIN / CAESARSTONE
<b>SIZE:</b>	1796W x 500D x *512/520H	<b>BASIN POSITION:</b>	CENTRE
<b>CONFIGURATION:</b>	ALL DRAWER, WALL HUNG	<b>CODE:</b>	THIFAW1800WHCCP - (CHERRY PIE) THIFAW1800WHCDU - (DURASEIN) THIFAW1800WHCCS - (CAESARSTONE)
<b>VERSION:</b> 01	DATE: 12/09/2024		

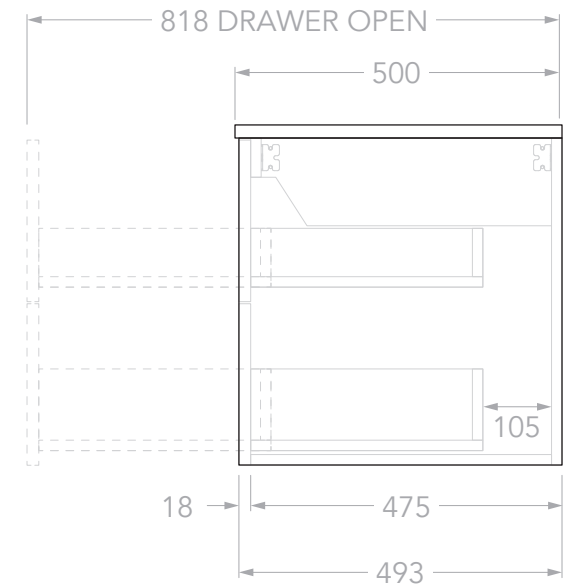
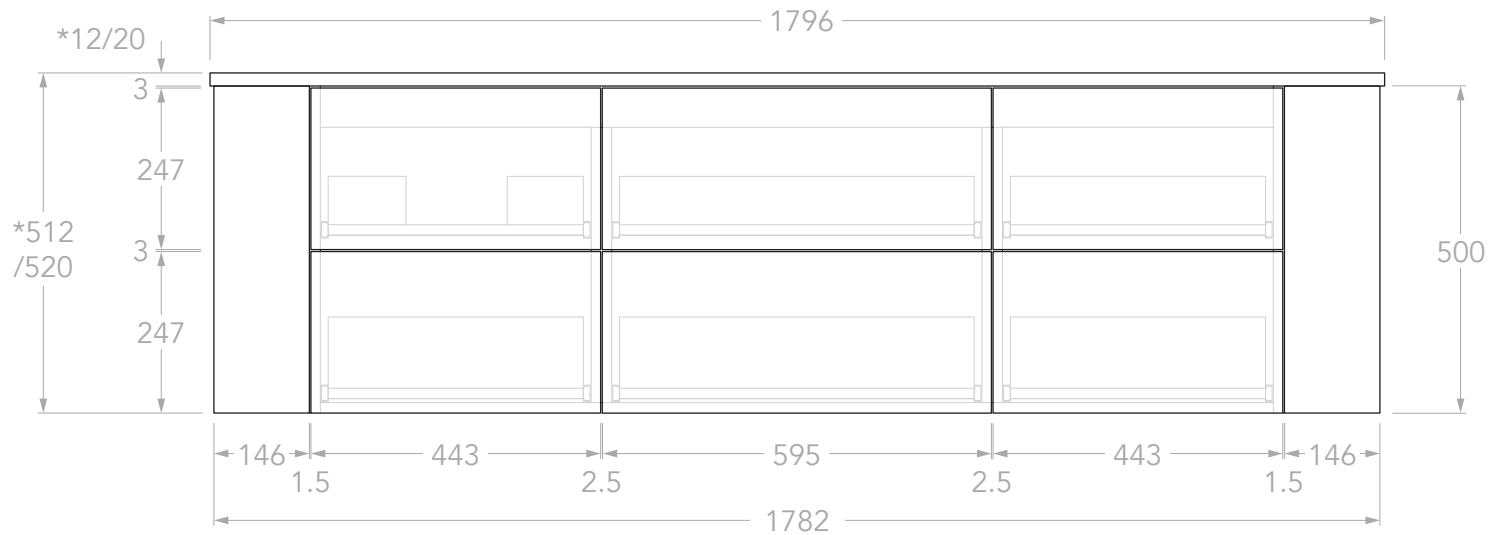
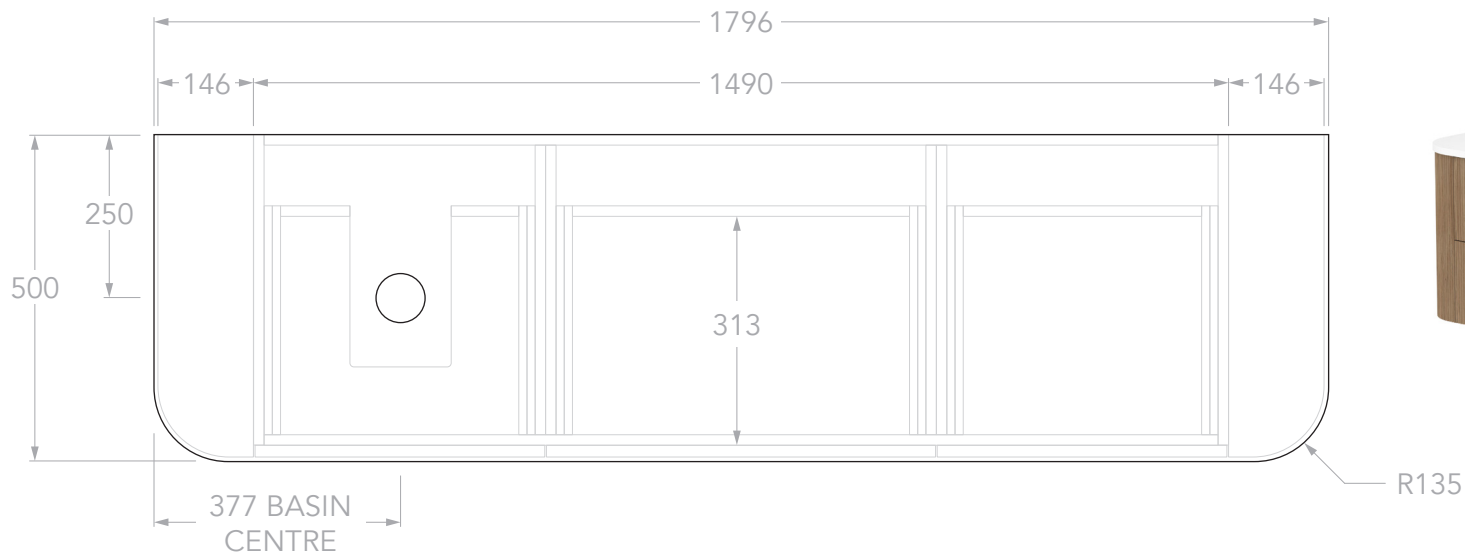
**NOTES:**  
 DIMENSIONS ARE NOMINAL. DO NOT DRILL OR ROUGH IN UNTIL YOU HAVE RECEIVED AND MEASURED YOUR VANITY.  
 ALL DIMENSIONS ARE IN MILLIMETRES. DO NOT MEASURE FROM DRAWING.  
 \*FOR DURASEIN FINISHES 12MM MATERIAL THICKNESS. 20MM THICKNESS FOR ALL OTHER BENCHTOP FINISHES.





<b>PRODUCT:</b>	THIRROUL 1800 DOUBLE	<b>TOP:</b>	CHERRY PIE / DURASEIN / CAESARSTONE
<b>SIZE:</b>	1796W x 500D x *512/520H	<b>BASIN POSITION:</b>	DOUBLE
<b>CONFIGURATION:</b>	ALL DRAWER, WALL HUNG	<b>CODE:</b>	THIFAW1800WHDCP - (CHERRY PIE) THIFAW1800WHDDU - (DURASEIN) THIFAW1800WHDCS - (CAESARSTONE)
<b>VERSION:</b> 01	DATE: 12/09/2024		

**NOTES:**  
 DIMENSIONS ARE NOMINAL. DO NOT DRILL OR ROUGH IN UNTIL YOU HAVE RECEIVED AND MEASURED YOUR VANITY.  
 ALL DIMENSIONS ARE IN MILLIMETRES. DO NOT MEASURE FROM DRAWING.  
 \*FOR DURASEIN FINISHES 12MM MATERIAL THICKNESS. 20MM THICKNESS FOR ALL OTHER BENCHTOP FINISHES.



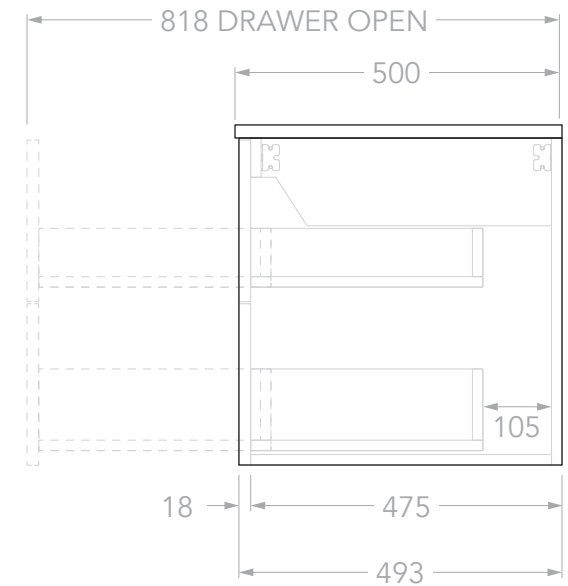
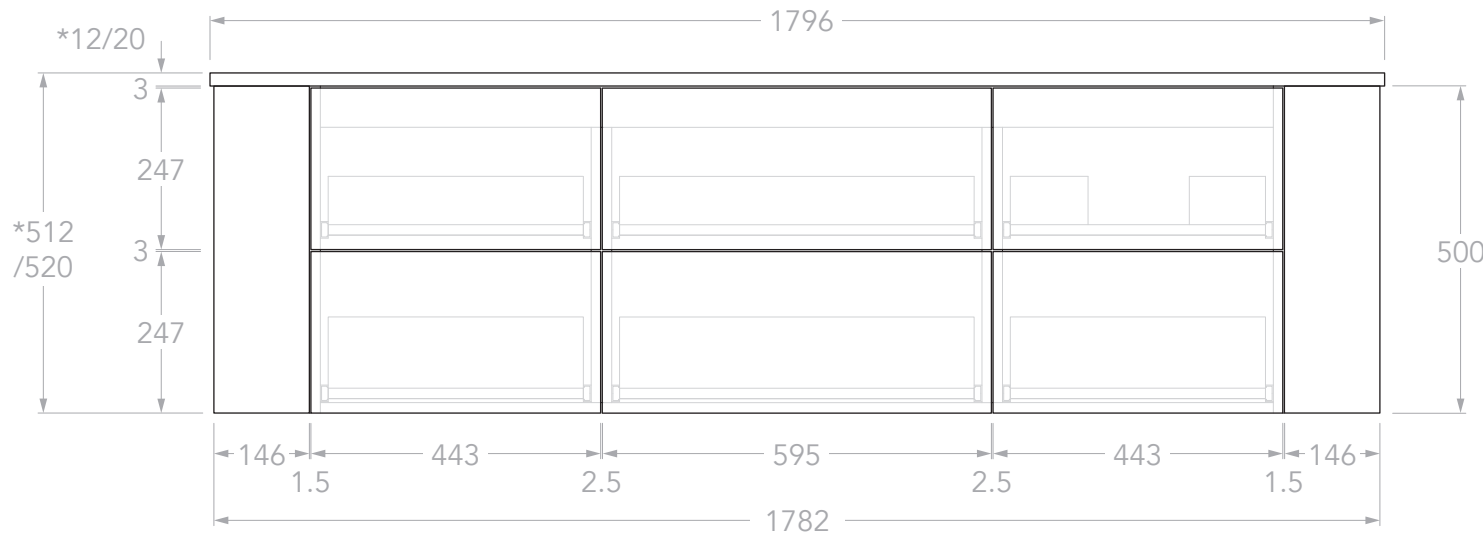
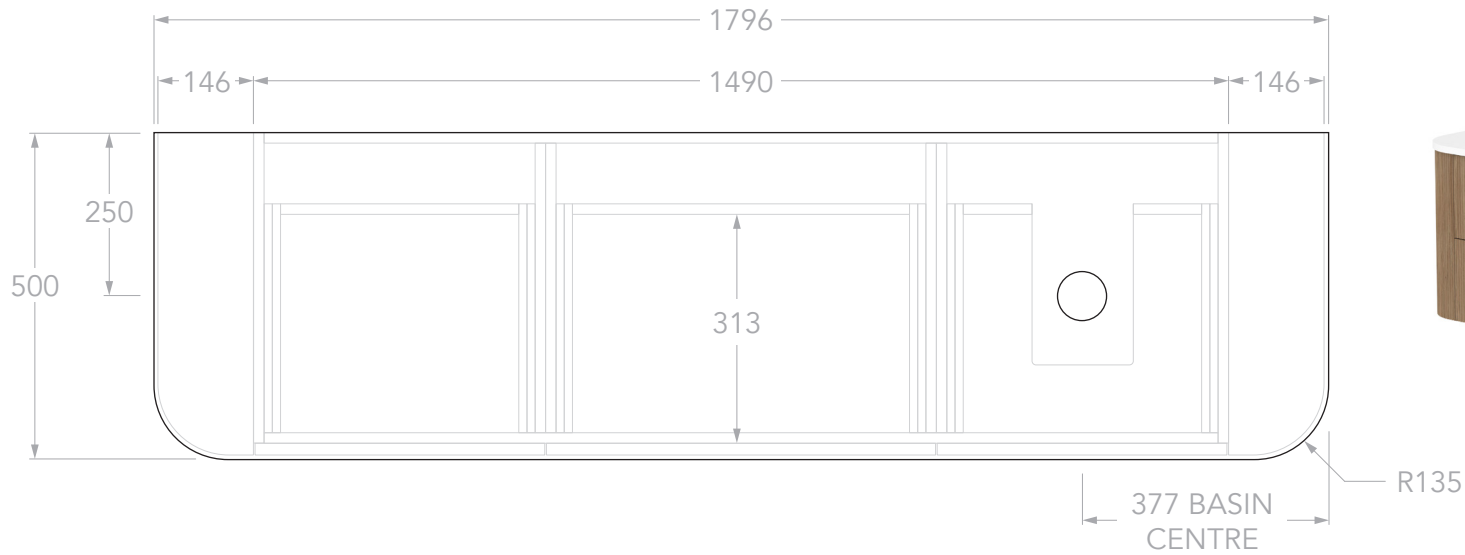
<b>PRODUCT:</b>	THIRROUL 1800 LEFT	<b>TOP:</b>	CHERRY PIE / DURASEIN / CAESARSTONE
<b>SIZE:</b>	1796W x 500D x *512/520H	<b>BASIN POSITION:</b>	LEFT
<b>CONFIGURATION:</b>	ALL DRAWER, WALL HUNG	<b>CODE:</b>	THIFAW1800WHLCF - (CHERRY PIE) THIFAW1800WHLDU - (DURASEIN) THIFAW1800WHLCS - (CAESARSTONE)
<b>VERSION:</b> 01	DATE: 12/09/2024		

**NOTES:**

DIMENSIONS ARE NOMINAL. DO NOT DRILL OR ROUGH IN UNTIL YOU HAVE RECEIVED AND MEASURED YOUR VANITY.

ALL DIMENSIONS ARE IN MILLIMETRES. DO NOT MEASURE FROM DRAWING.

\*FOR DURASEIN FINISHES 12MM MATERIAL THICKNESS. 20MM THICKNESS FOR ALL OTHER BENCHTOP FINISHES.



PRODUCT:	THIRROUL 1800 RIGHT	TOP:	CHERRY PIE / DURASEIN / CAESARSTONE
SIZE:	1796W x 500D x *512/520H	BASIN POSITION:	RIGHT
CONFIGURATION:	ALL DRAWER, WALL HUNG	CODE:	THIFAW1800WHRCF - (CHERRY PIE) THIFAW1800WHRDU - (DURASEIN) THIFAW1800WHRCS - (CAESARSTONE)
VERSION: 01	DATE: 12/09/2024		

**NOTES:**  
 DIMENSIONS ARE NOMINAL. DO NOT DRILL OR ROUGH IN UNTIL YOU HAVE RECEIVED AND MEASURED YOUR VANITY.  
 ALL DIMENSIONS ARE IN MILLIMETRES. DO NOT MEASURE FROM DRAWING.  
 \*FOR DURASEIN FINISHES 12MM MATERIAL THICKNESS. 20MM THICKNESS FOR ALL OTHER BENCHTOP FINISHES.