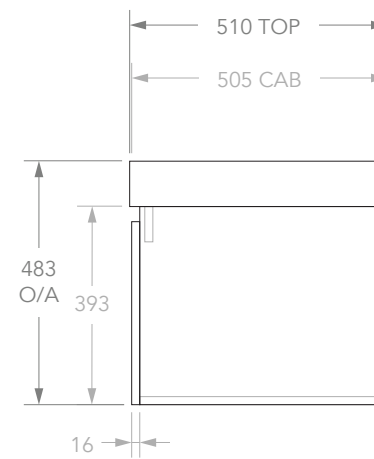
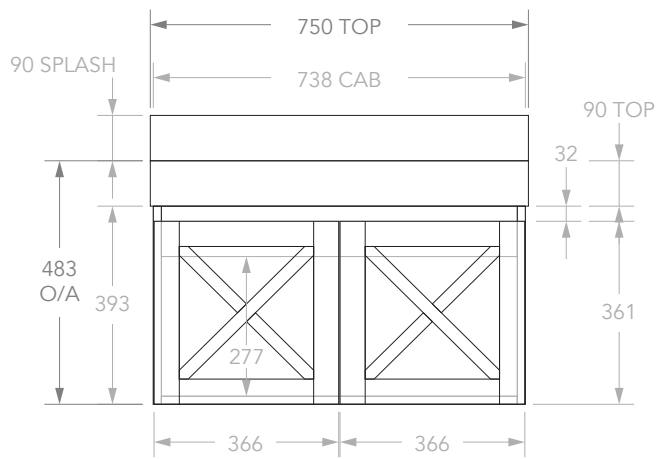
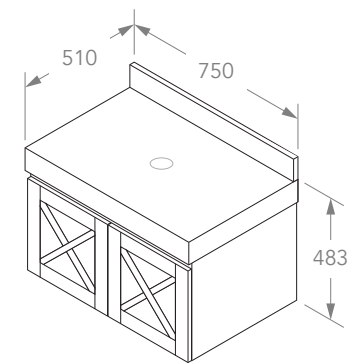
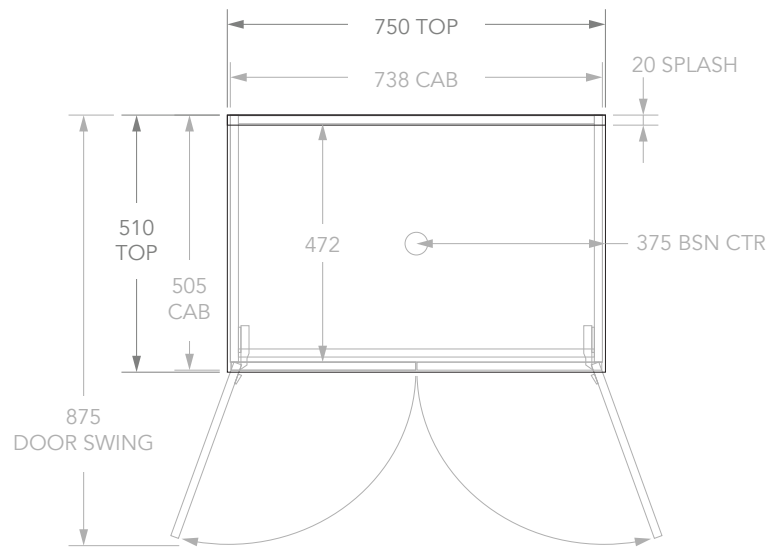


## CHARLESTON INTERNAL DRAWER BOX

CODE:	CHRINTDRWBOX
TYPE:	IN-VANITY DRAWER BOX
SIZE:	328W x 265H x 390D
VERSION:	01
DATE:	30/10/2024

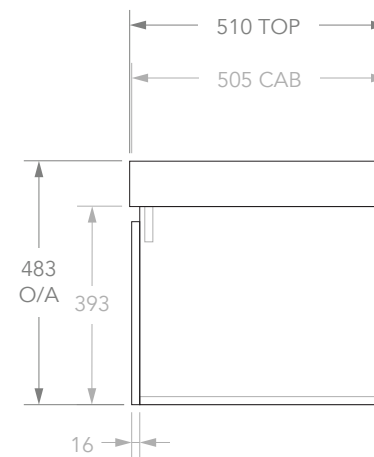
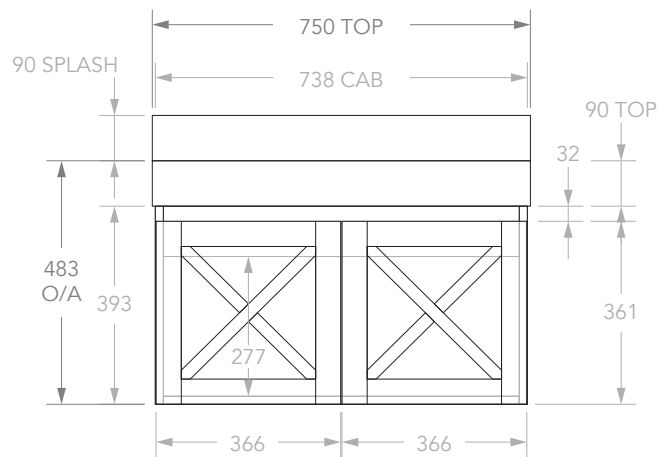
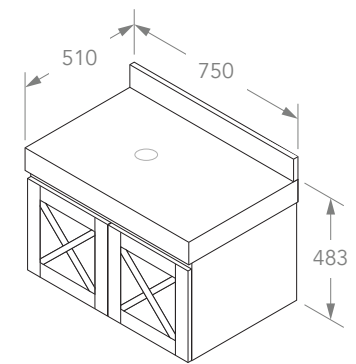
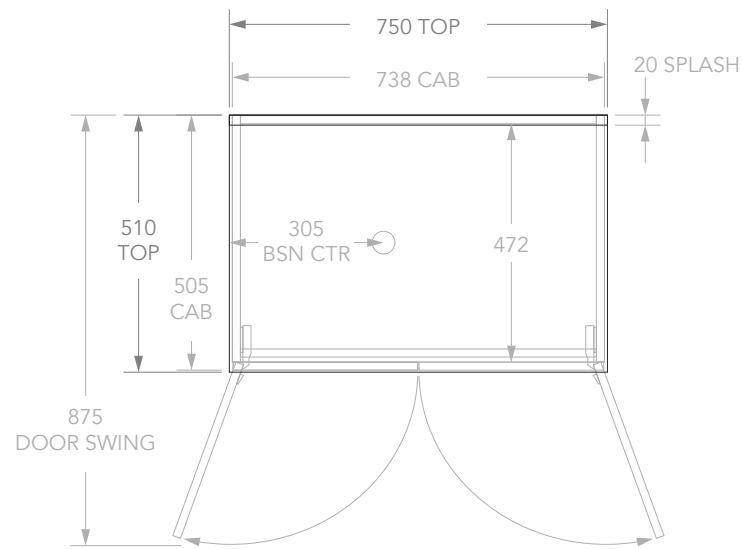
### NOTES:

DIMENSIONS ARE NOMINAL.  
ALL DIMENSIONS ARE IN MILLIMETRES. DO NOT MEASURE FROM DRAWING.

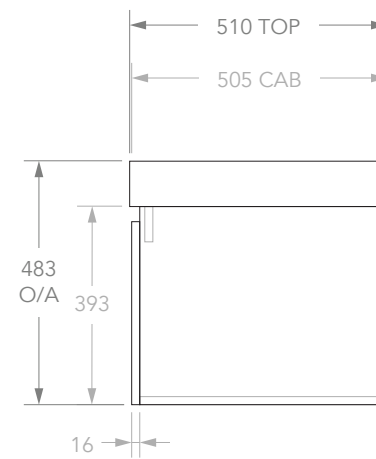
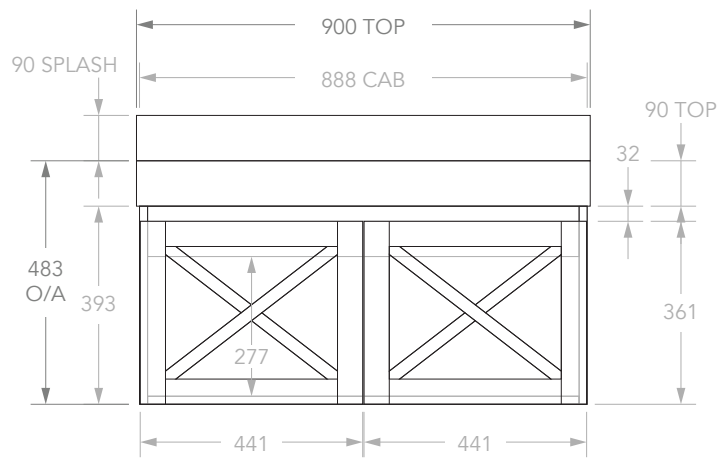
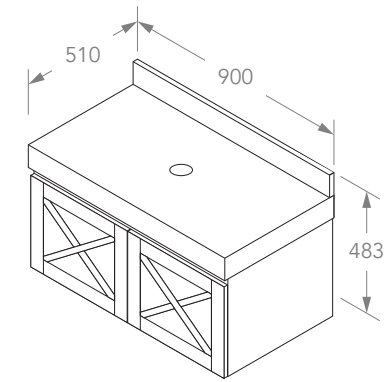
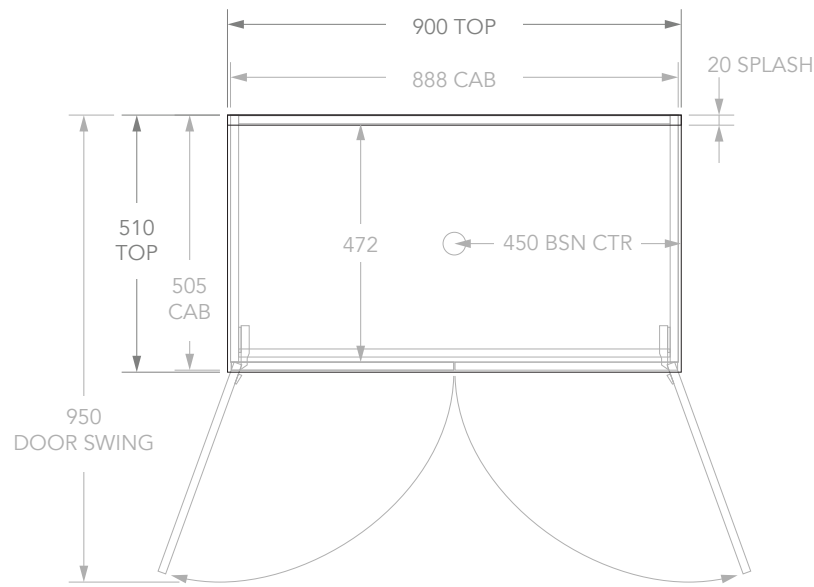


architectural designer products

<b>PRODUCT</b>	CHARLESTON	<b>TOP</b>	90MM CHERRY PIE, FIDAY, CAESARSTONE	<b>NOTES:</b> DIMENSIONS ARE NOMINAL. DO NOT DRILL OR ROUGH IN UNTIL YOU HAVE RECIEVED AND MEASURED YOUR VANITY.  *DRAWING APPLIES FOR CODES ENDING: CP, FR, CS
<b>CODE</b>	CHRFDS0750WHC*	<b>BASIN POSITION</b>	CENTRE BOWL	
<b>DIMENSIONS</b>	750W X 483H X 510D	<b>HARDWARE AND ACCESSORIES</b>	OPTIONAL 90MM SPLASHBACK	
<b>CONFIGURATION</b>	ALL DOOR WALL HUNG			
VERSION 1	DATE 13/02/2020			

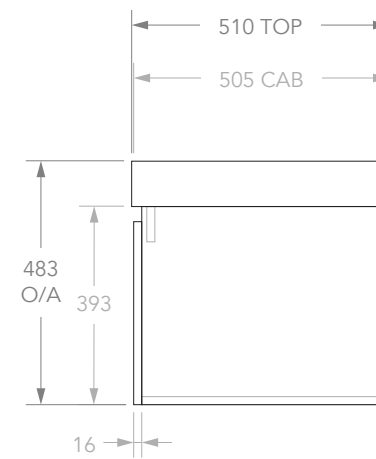
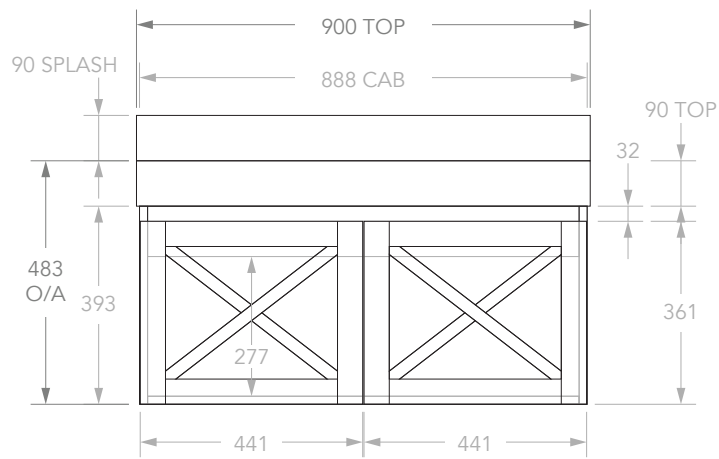
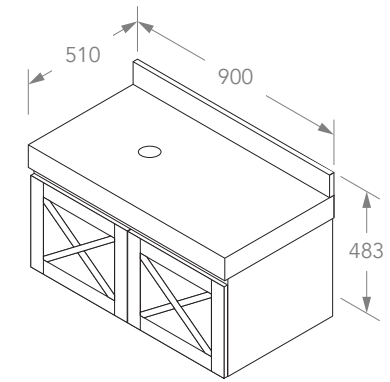
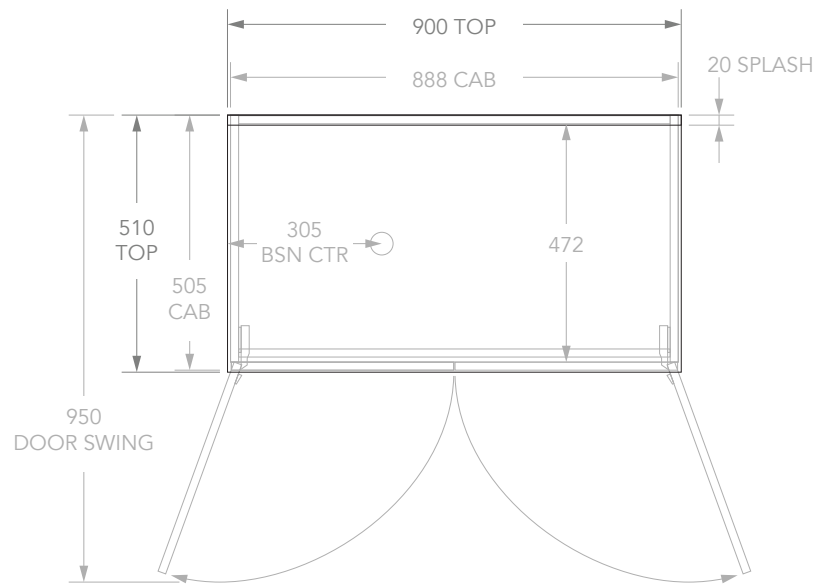


<b>PRODUCT</b>	CHARLESTON	<b>TOP</b>	90MM CHERRY PIE, FIDAY, CAESARSTONE	<b>NOTES:</b> DIMENSIONS ARE NOMINAL. DO NOT DRILL OR ROUGH IN UNTIL YOU HAVE RECIEVED AND MEASURED YOUR VANITY.  LEFT BASIN SHOWN. RIGHT BASIN IS SAME BUT MIRRORED.  *DRAWING APPLIES FOR CODES ENDING: CP, FR, CS
<b>CODE</b>	CHRFDS0750WHL*	<b>BASIN POSITION</b>	LEFT OFFSET	
<b>DIMENSIONS</b>	750W X 483H X 510D	<b>HARDWARE AND ACCESSORIES</b>	OPTIONAL 90MM SPLASHBACK	
<b>CONFIGURATION</b>	ALL DOOR WALL HUNG			
<b>VERSION 1</b>	DATE 13/02/2020			



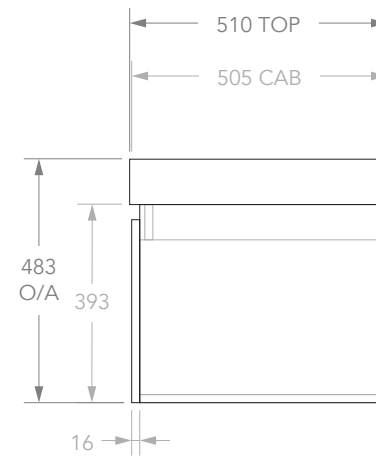
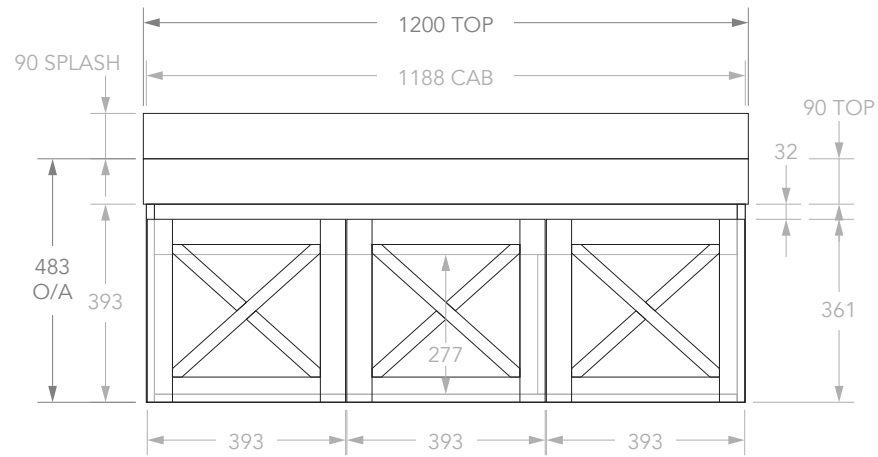
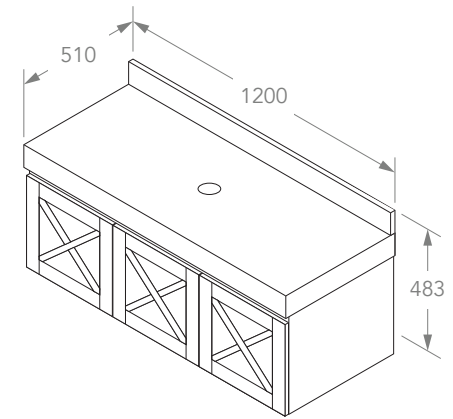
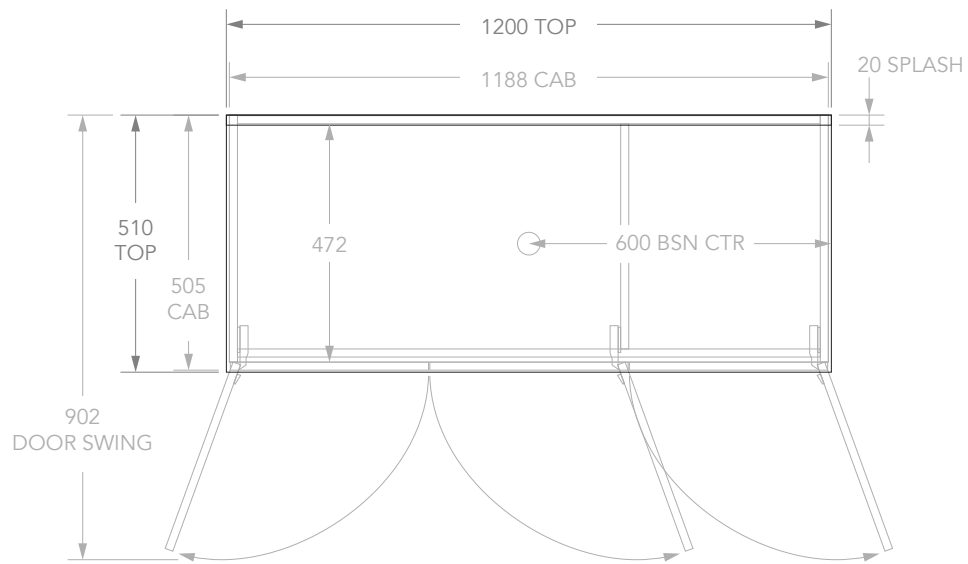
architectural designer products

<b>PRODUCT</b>	CHARLESTON	<b>TOP</b>	90MM CHERRY PIE, FIDAY, CAESARSTONE	<b>NOTES:</b> DIMENSIONS ARE NOMINAL. DO NOT DRILL OR ROUGH IN UNTIL YOU HAVE RECIEVED AND MEASURED YOUR VANITY.  *DRAWING APPLIES FOR CODES ENDING: CP, FR, CS
<b>CODE</b>	CHRFDS0900WHC*	<b>BASIN POSITION</b>	CENTRE	
<b>DIMENSIONS</b>	900W X 483H X 510D	<b>HARDWARE AND ACCESSORIES</b>	OPTIONAL 90MM SPLASHBACK	
<b>CONFIGURATION</b>	ALL DOOR WALL HUNG			
VERSION 1	DATE 13/02/2020			

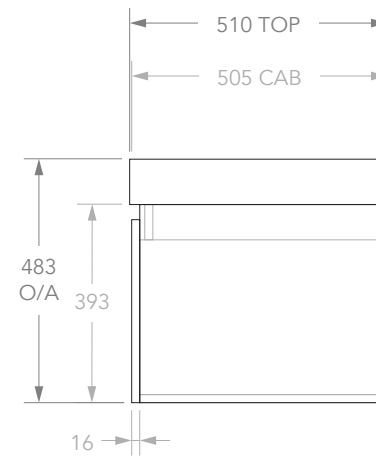
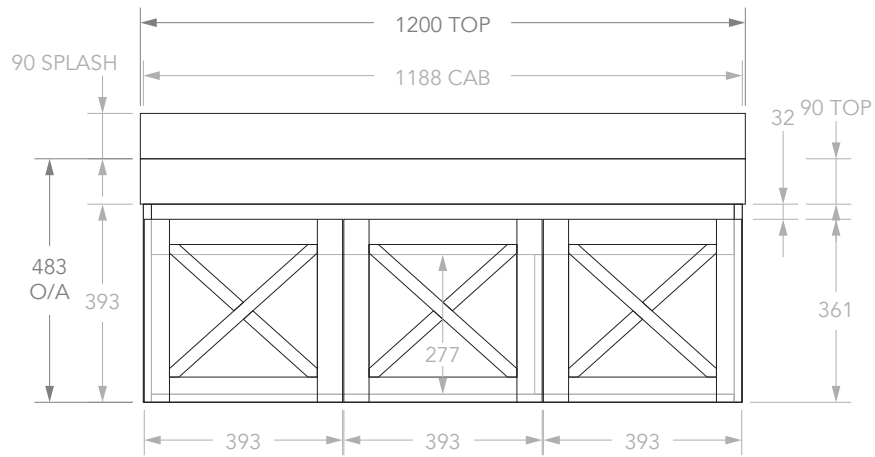
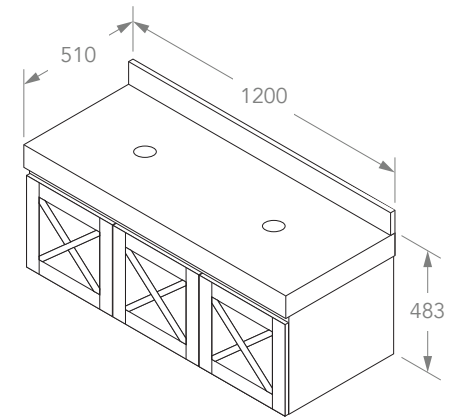
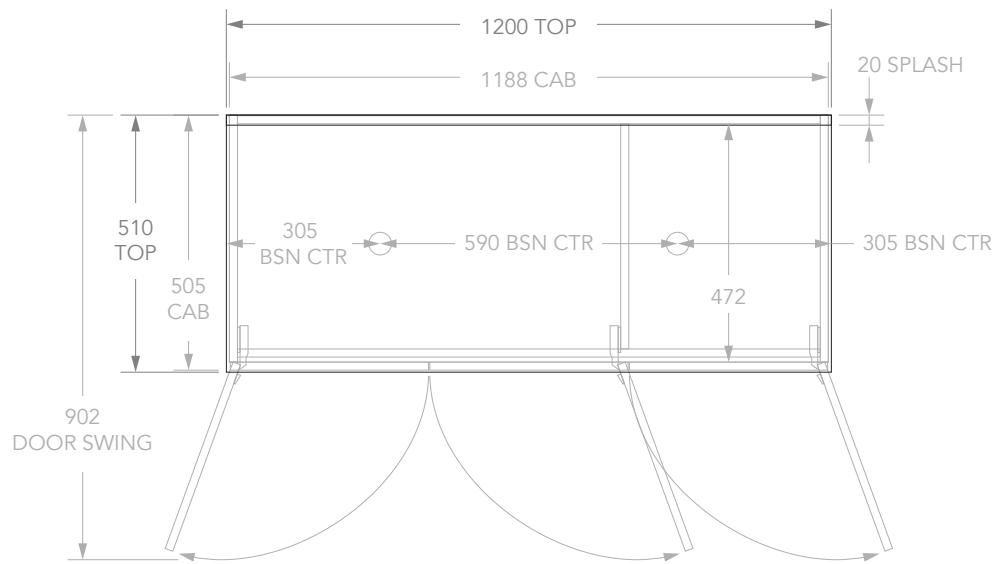


<b>PRODUCT</b>	CHARLESTON	<b>TOP</b>	90MM CHERRY PIE, FIDAY, CAESARSTONE
<b>CODE</b>	CHRFDS0900WHL*	<b>BASIN POSITION</b>	LEFT OFFSET
<b>DIMENSIONS</b>	900W X 483H X 510D	<b>HARDWARE AND ACCESSORIES</b>	
<b>CONFIGURATION</b>	ALL DOOR WALL HUNG		
<b>VERSION 1</b>	DATE 13/02/2020		

**NOTES:**  
 DIMENSIONS ARE NOMINAL. DO NOT DRILL OR ROUGH IN UNTIL YOU HAVE RECIEVED AND MEASURED YOUR VANITY.  
 LEFT BASIN SHOWN. RIGHT BASIN IS SAME BUT MIRRORED.  
 \*DRAWING APPLIES FOR CODES ENDING: CP, FR, CS

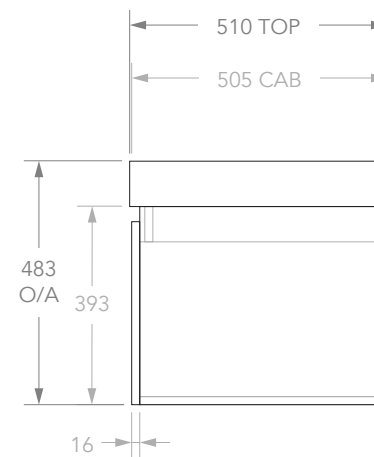
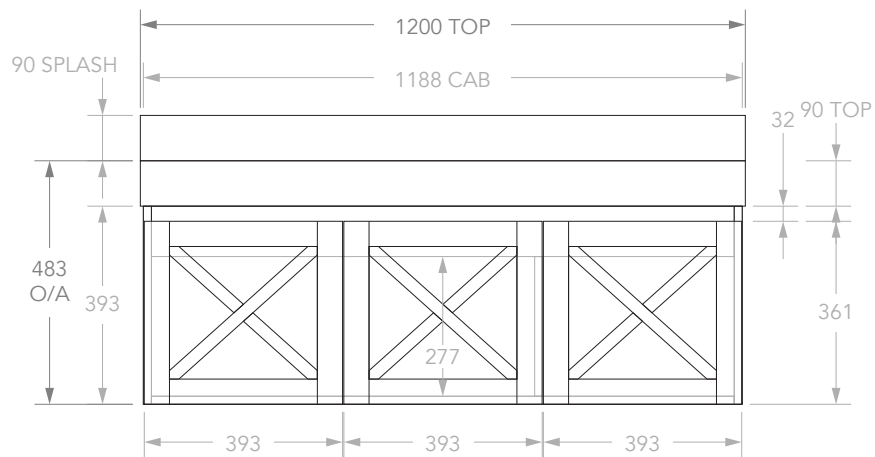
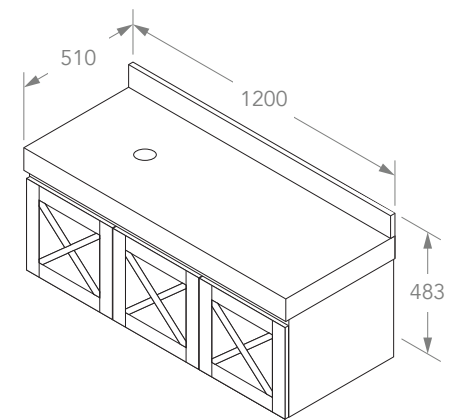
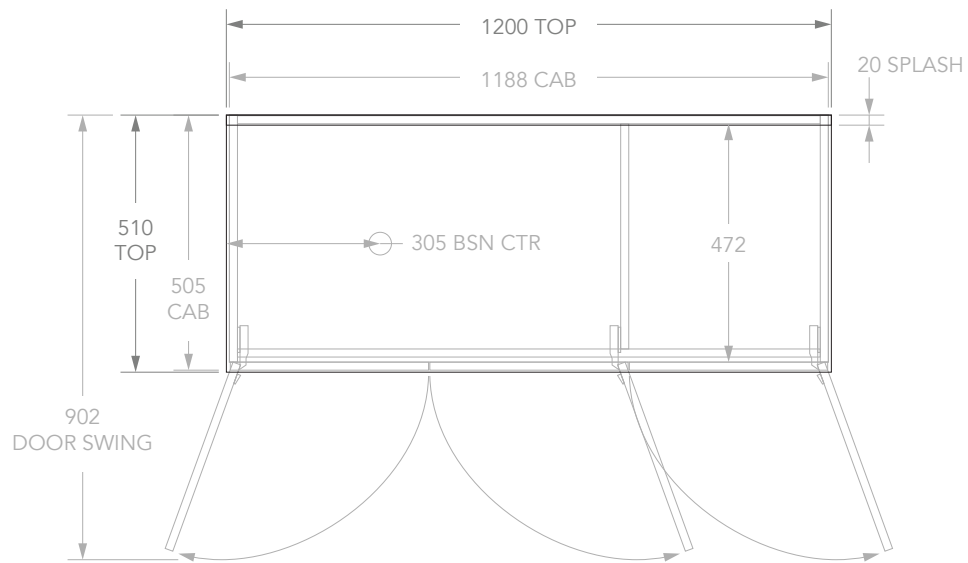


<b>PRODUCT</b>	CHARLESTON	<b>TOP</b>	90MM CHERRY PIE, FIDAY, CAESARSTONE	<b>NOTES:</b> DIMENSIONS ARE NOMINAL. DO NOT DRILL OR ROUGH IN UNTIL YOU HAVE RECIEVED AND MEASURED YOUR VANITY.  *DRAWING APPLIES FOR CODES ENDING: CP, FR, CS
<b>CODE</b>	CHRFDS1200WHC*	<b>BASIN POSITION</b>	CENTRE BOWL	
<b>DIMENSIONS</b>	1200WX 483H X 510D	<b>HARDWARE AND ACCESSORIES</b>	OPTIONAL 90MM SPLASHBACK	
<b>CONFIGURATION</b>	ALL DOOR WALL HUNG			
VERSION 1	DATE 13/02/2020			



<b>PRODUCT</b>	CHARLESTON	<b>TOP</b>	90MM CHERRY PIE, FIDAY, CAESARSTONE
<b>CODE</b>	CHRFDS1200WHD*	<b>BASIN POSITION</b>	DOUBLE BOWL
<b>DIMENSIONS</b>	1200WX 483H X 510D	<b>HARDWARE AND ACCESSORIES</b>	OPTIONAL 90MM SPLASHBACK
<b>CONFIGURATION</b>	ALL DOOR WALL HUNG		
<b>VERSION 1</b>	DATE 13/02/2020		

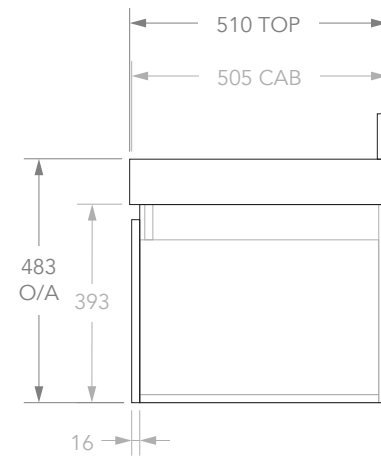
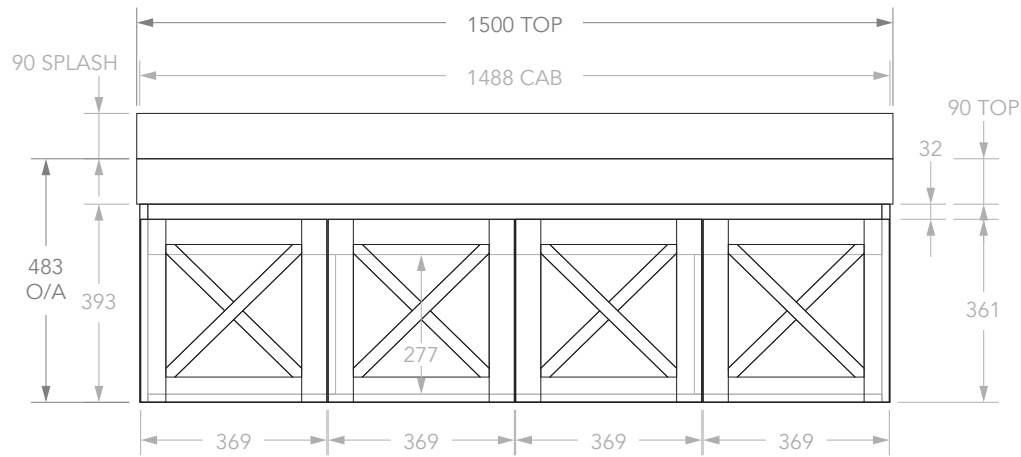
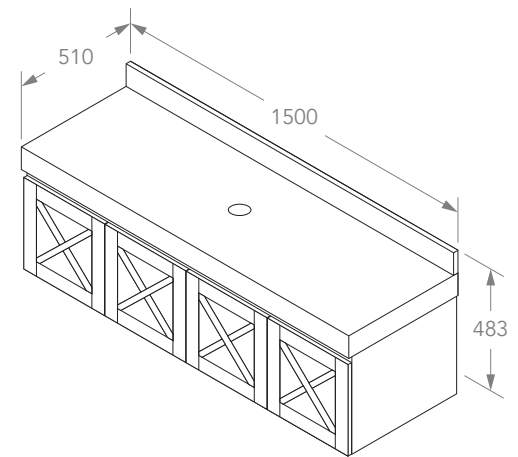
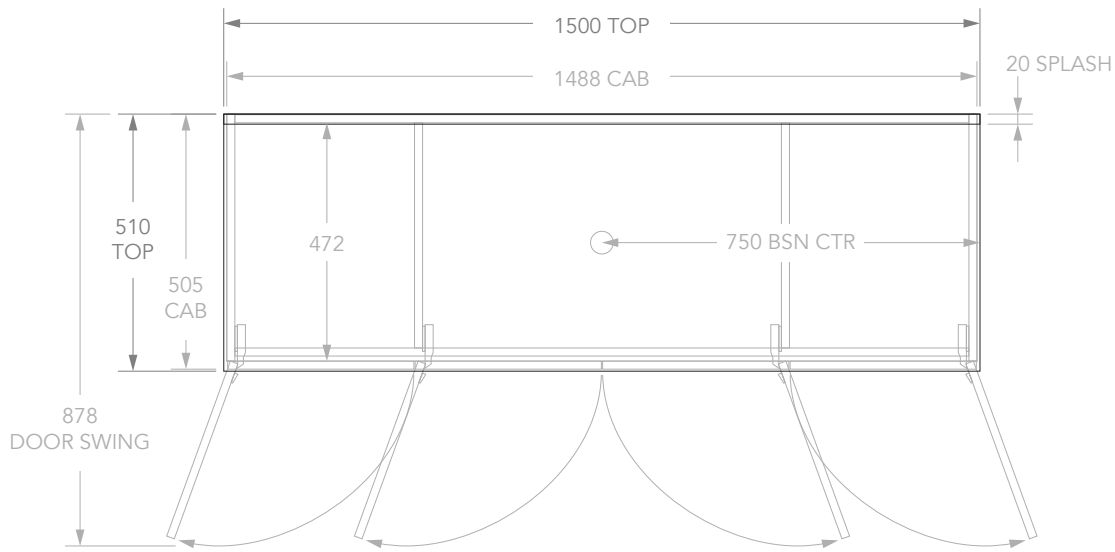
**NOTES:**  
 DIMENSIONS ARE NOMINAL. DO NOT DRILL OR ROUGH IN UNTIL YOU HAVE RECIEVED AND MEASURED YOUR VANITY.  
 \*DRAWING APPLIES FOR CODES ENDING: CP, FR, CS



<b>PRODUCT</b>	CHARLESTON	<b>TOP</b>	90MM CHERRY PIE, FIDAY, CAESARSTONE
<b>CODE</b>	CHRFDS1200WHL*	<b>BASIN POSITION</b>	LEFT OFFSET
<b>DIMENSIONS</b>	1200WX 483H X 510D	<b>HARDWARE AND ACCESSORIES</b>	OPTIONAL 90MM SPLASHBACK
<b>CONFIGURATION</b>	ALL DOOR WALL HUNG		
<b>VERSION 1</b>	DATE 13/02/2020		

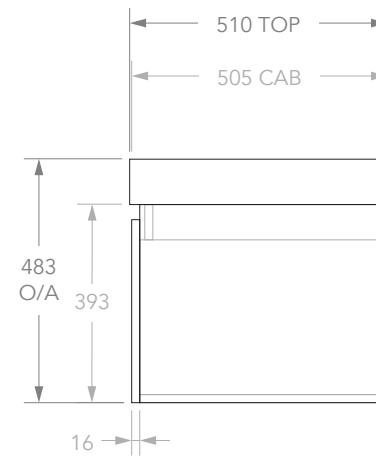
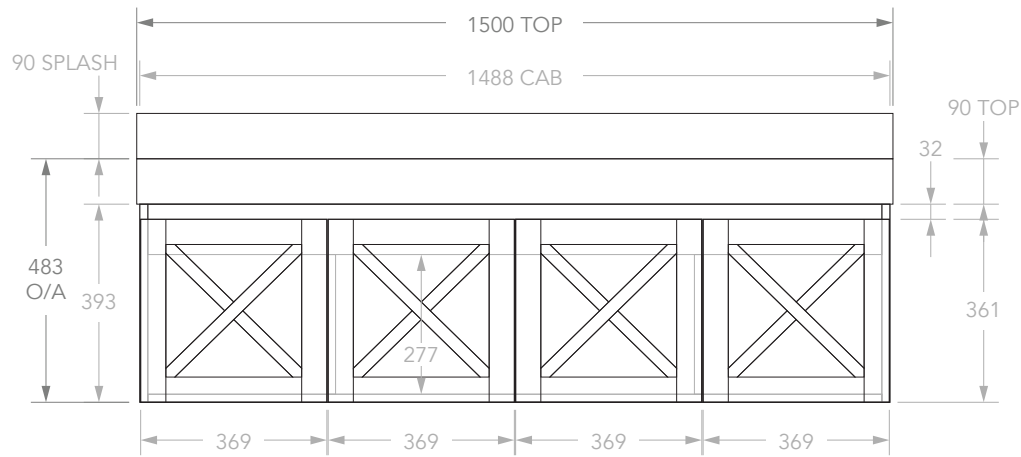
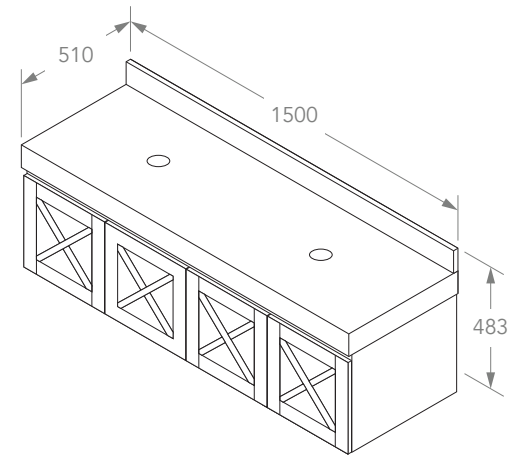
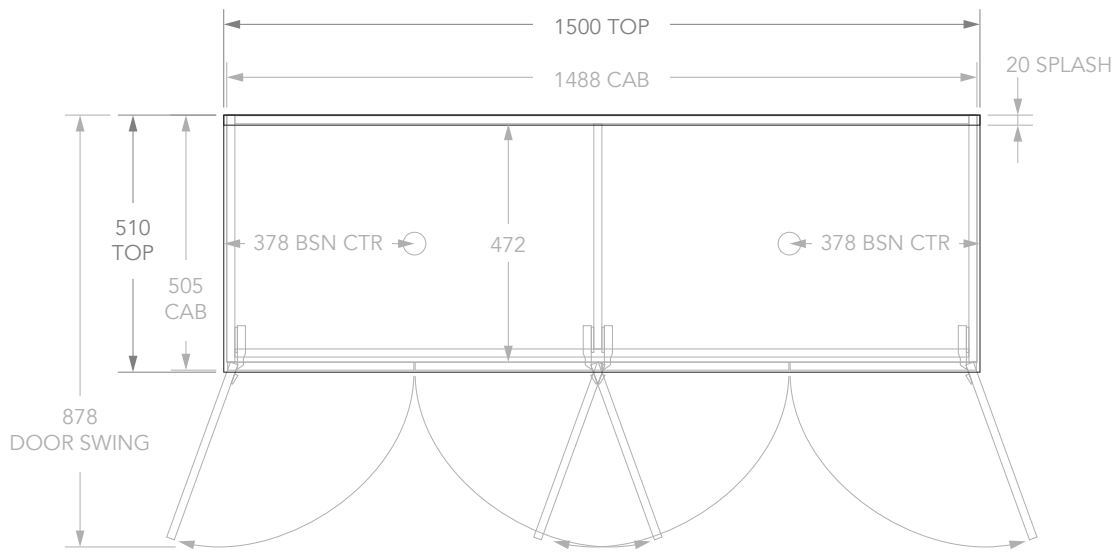
**NOTES:**  
 DIMENSIONS ARE NOMINAL. DO NOT DRILL OR ROUGH IN UNTIL YOU HAVE RECIEVED AND MEASURED YOUR VANITY.  
 LEFT BASIN SHOWN. RIGHT BASIN IS SAME BUT MIRRORED.  
 \*DRAWING APPLIES FOR CODES ENDING: CP, FR, CS





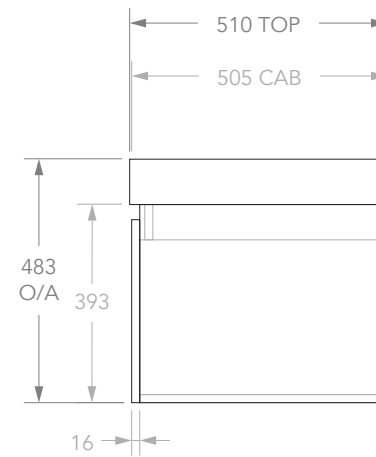
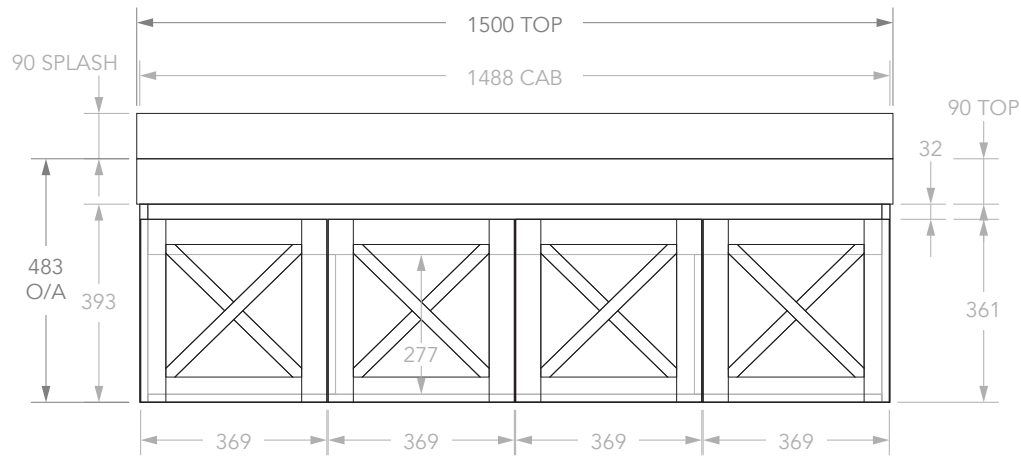
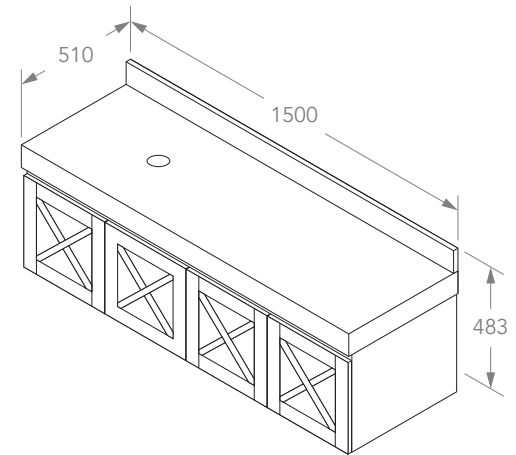
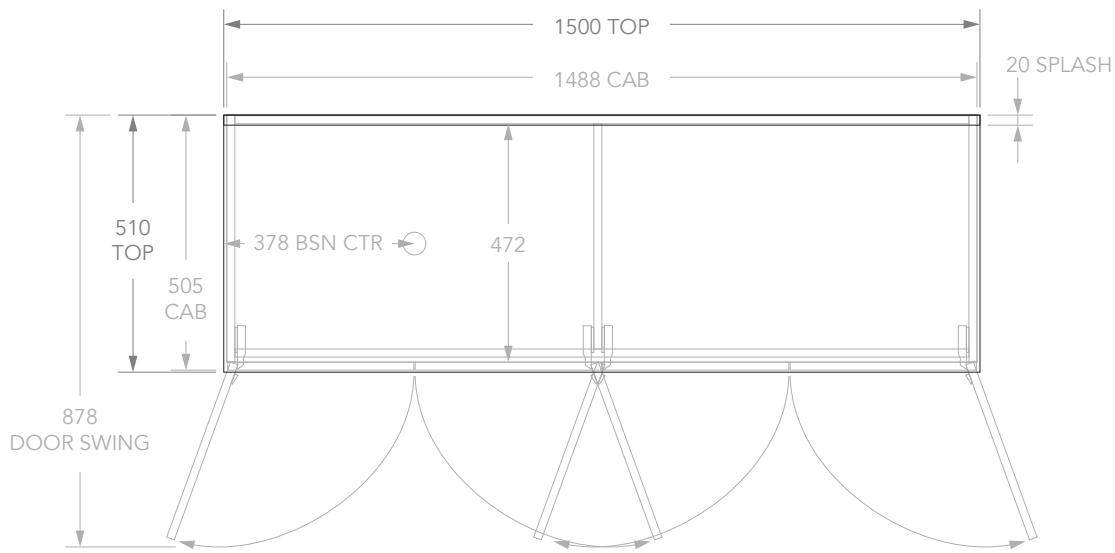
architectural designer products

<b>PRODUCT</b>	CHARLESTON	<b>TOP</b>	90MM CHERRY PIE, FIDAY, CAESARSTONE	<b>NOTES:</b> DIMENSIONS ARE NOMINAL. DO NOT DRILL OR ROUGH IN UNTIL YOU HAVE RECIEVED AND MEASURED YOUR VANITY.  *DRAWING APPLIES FOR CODES ENDING: CP, FR, CS
<b>CODE</b>	CHRFDS1500WHC*	<b>BASIN POSITION</b>	CENTRE BOWL	
<b>DIMENSIONS</b>	1500WX 483H X 510D	<b>HARDWARE AND ACCESSORIES</b>	OPTIONAL 90MM SPLASHBACK	
<b>CONFIGURATION</b>	ALL DOOR WALL HUNG			
VERSION 1	DATE 13/02/2020			



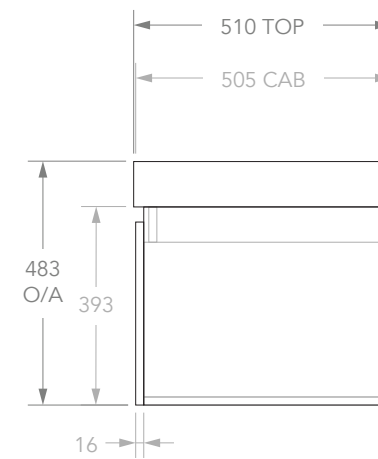
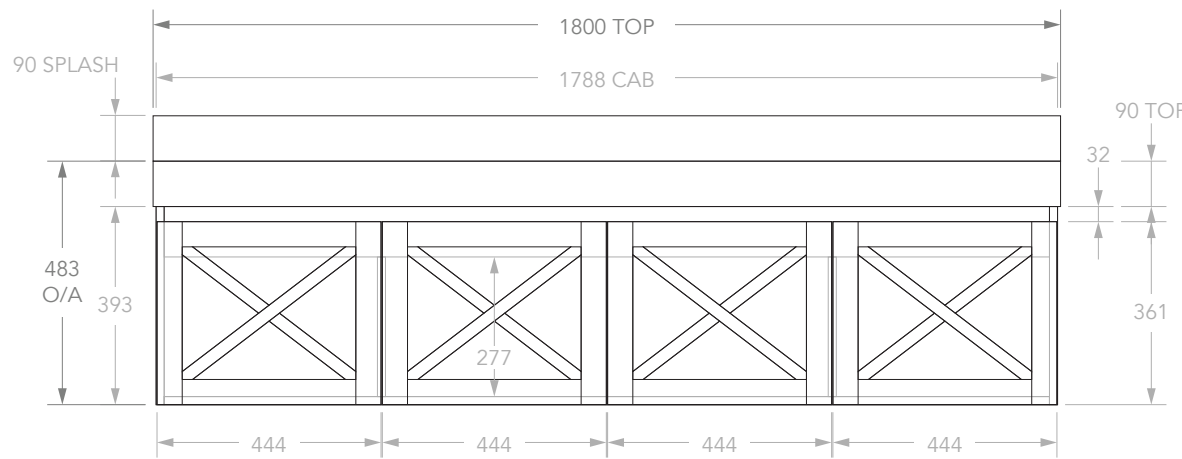
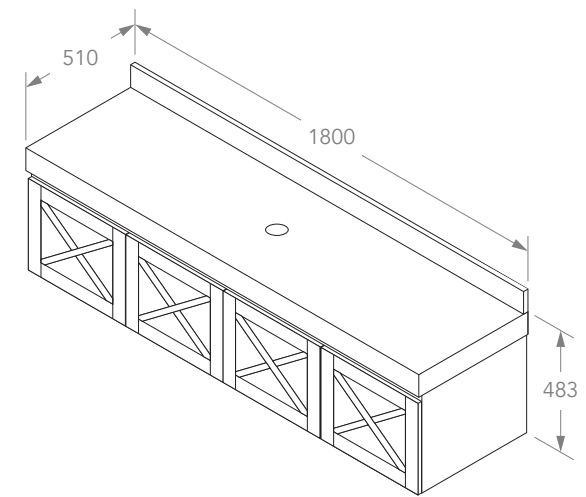
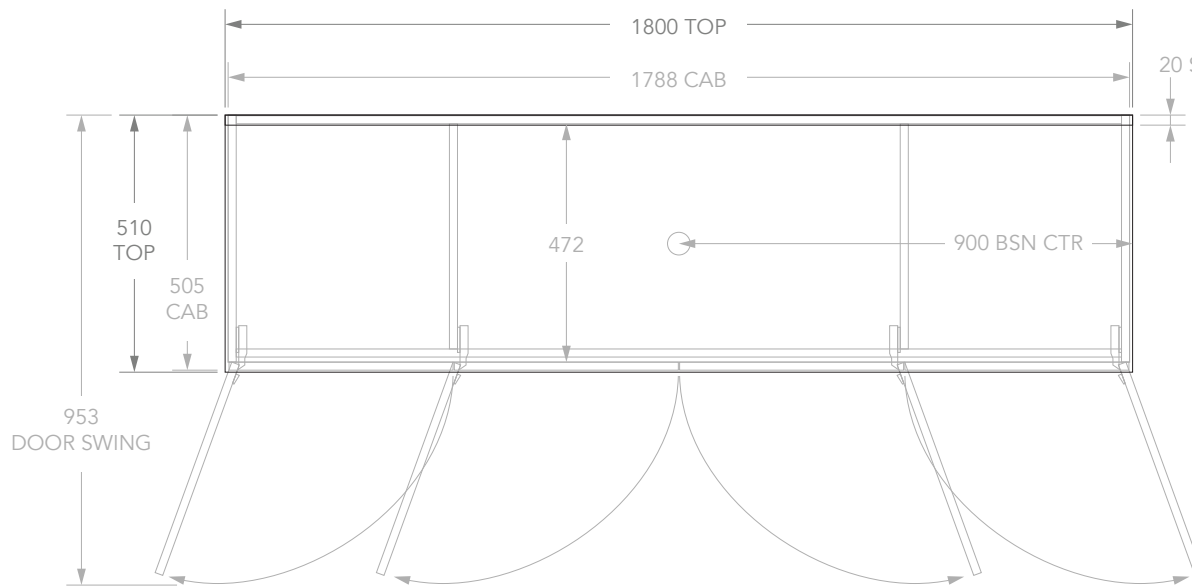
architectural designer products

<b>PRODUCT</b>	CHARLESTON	<b>TOP</b>	90MM CHERRY PIE, FIDAY, CAESARSTONE	<b>NOTES:</b> DIMENSIONS ARE NOMINAL. DO NOT DRILL OR ROUGH IN UNTIL YOU HAVE RECIEVED AND MEASURED YOUR VANITY.  *DRAWING APPLIES FOR CODES ENDING: CP, FR, CS
<b>CODE</b>	CHRFDS1500WHD*	<b>BASIN POSITION</b>	DOUBLE BOWL	
<b>DIMENSIONS</b>	1500WX 483H X 510D	<b>HARDWARE AND ACCESSORIES</b>	OPTIONAL 90MM SPLASHBACK	
<b>CONFIGURATION</b>	ALL DOOR WALL HUNG			
VERSION 1	DATE 13/02/2020			

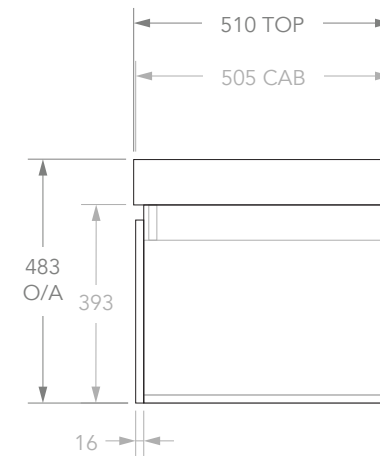
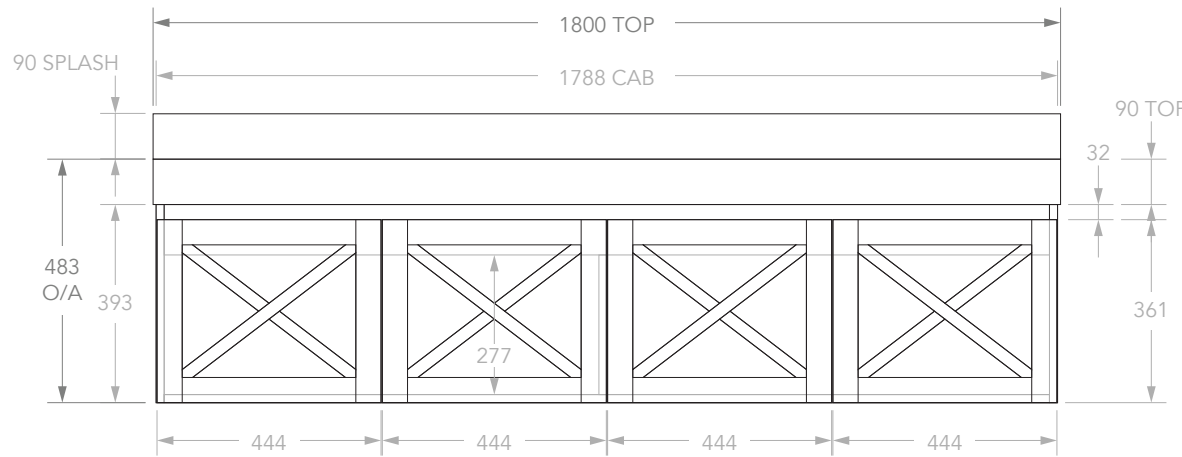
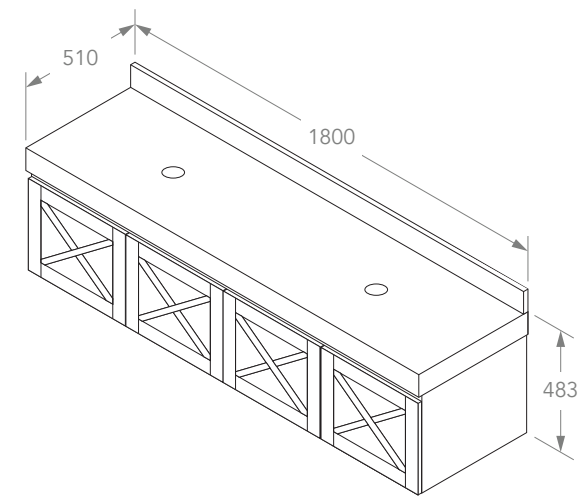
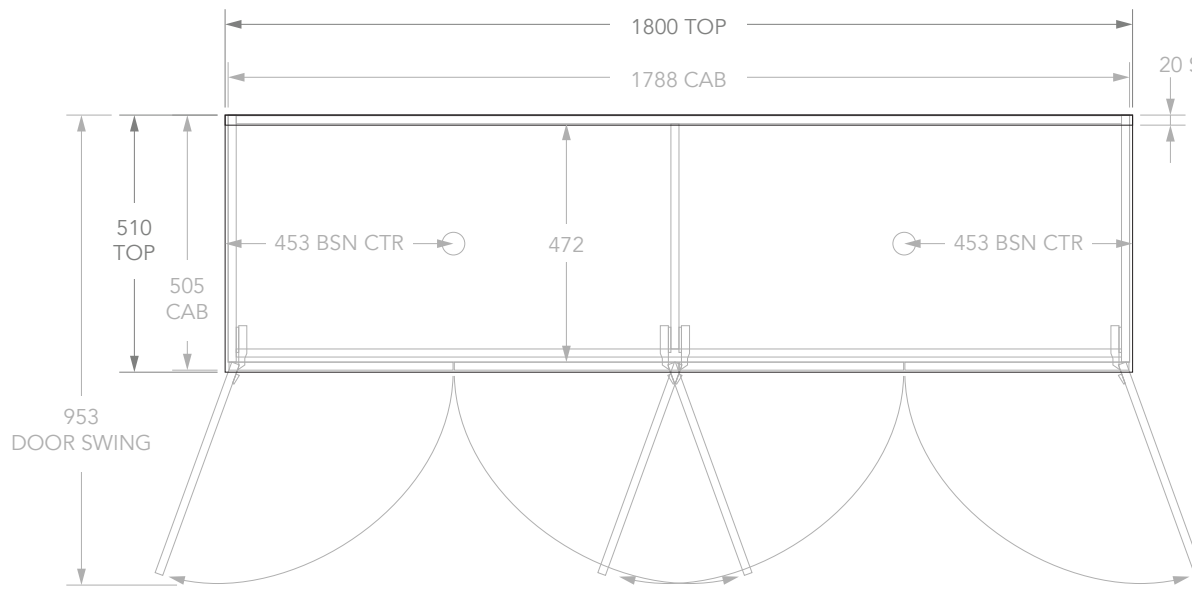


architectural designer products

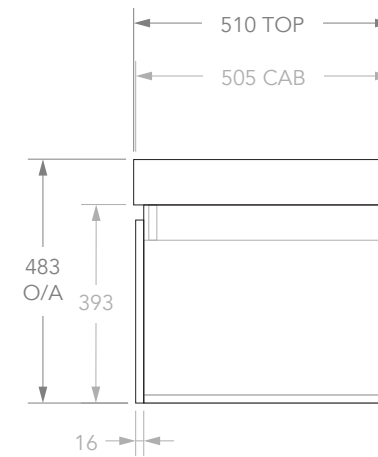
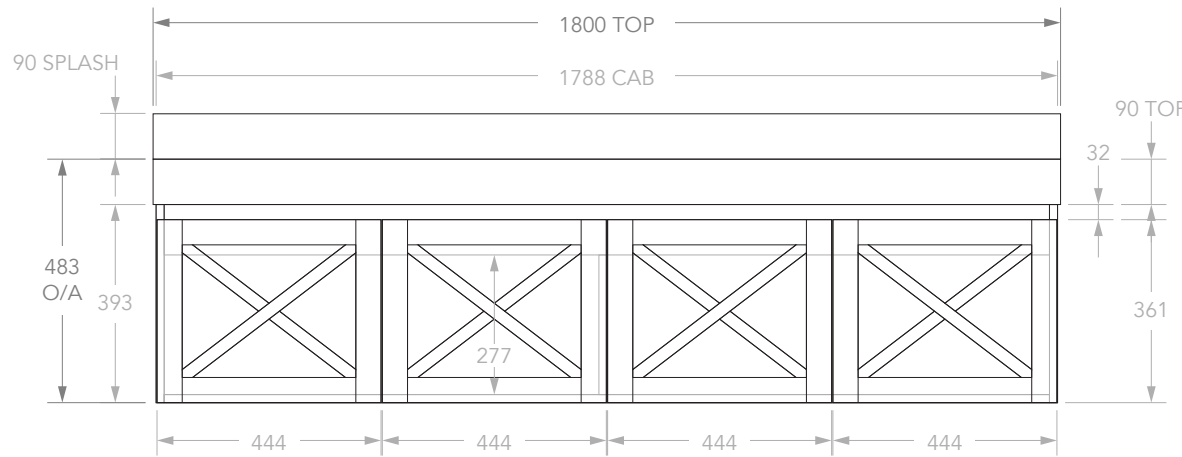
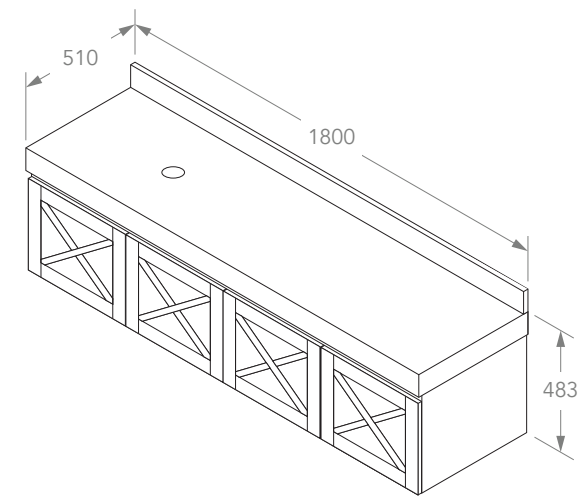
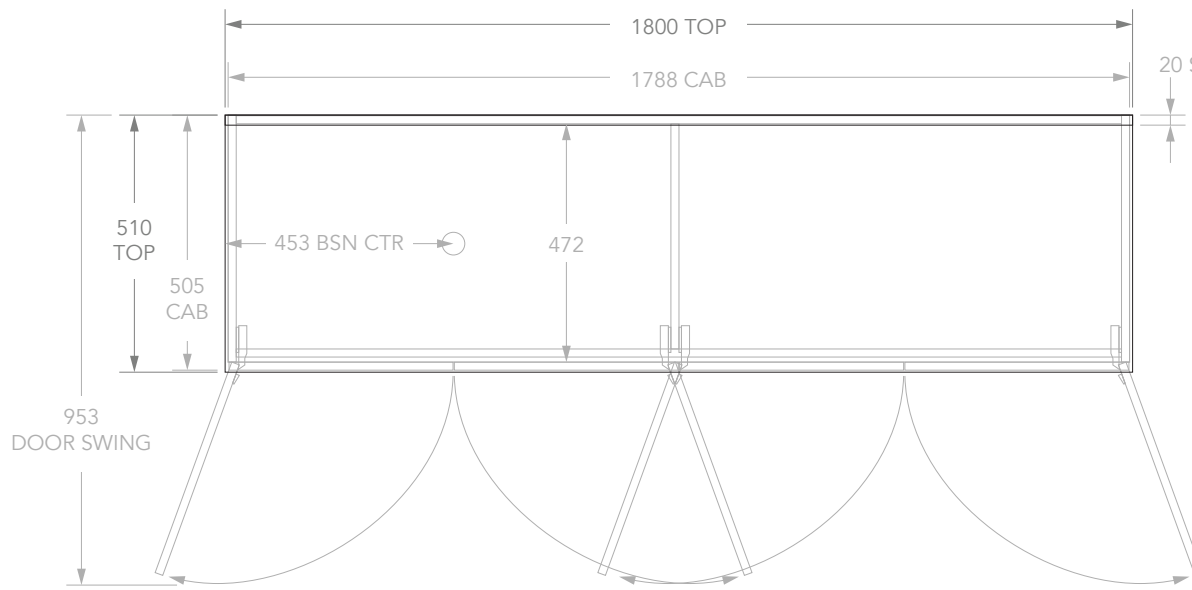
<b>PRODUCT</b>	CHARLESTON	<b>TOP</b>	90MM CHERRY PIE, FIDAY, CAESARSTONE	<b>NOTES:</b> DIMENSIONS ARE NOMINAL. DO NOT DRILL OR ROUGH IN UNTIL YOU HAVE RECIEVED AND MEASURED YOUR VANITY.  LEFT OFFSET BASIN MODEL PICTURED. RIGHT OFFSET SAME BUT MIRRORED.  *DRAWING APPLIES FOR CODES ENDING: CP, FR, CS
<b>CODE</b>	CHRFDS1500WHL*	<b>BASIN POSITION</b>	LEFT OFFSET	
<b>DIMENSIONS</b>	1500WX 483H X 510D	<b>HARDWARE AND ACCESSORIES</b>	OPTIONAL 90MM SPLASHBACK	
<b>CONFIGURATION</b>	ALL DOOR WALL HUNG			
<b>VERSION 1</b>	DATE 13/02/2020			



<b>PRODUCT</b>	CHARLESTON	<b>TOP</b>	90MM CHERRY PIE, FIDAY, CAESARSTONE	<b>NOTES:</b> DIMENSIONS ARE NOMINAL. DO NOT DRILL OR ROUGH IN UNTIL YOU HAVE RECIEVED AND MEASURED YOUR VANITY.  *DRAWING APPLIES FOR CODES ENDING: CP, FR, CS
<b>CODE</b>	CHRFDS1800WHC*	<b>BASIN POSITION</b>	CENTRE BOWL	
<b>DIMENSIONS</b>	1800WX 483H X 510D	<b>HARDWARE AND ACCESSORIES</b>	OPTIONAL 90MM SPLASHBACK	
<b>CONFIGURATION</b>	ALL DOOR WALL HUNG			
<b>VERSION 1</b>	DATE 13/02/2020			



<b>PRODUCT</b>	CHARLESTON	<b>TOP</b>	90MM CHERRY PIE, FIDAY, CAESARSTONE	<b>NOTES:</b> DIMENSIONS ARE NOMINAL. DO NOT DRILL OR ROUGH IN UNTIL YOU HAVE RECIEVED AND MEASURED YOUR VANITY.  *DRAWING APPLIES FOR CODES ENDING: CP, FR, CS
<b>CODE</b>	CHRFDS1800WHD*	<b>BASIN POSITION</b>	DOUBLE BOWL	
<b>DIMENSIONS</b>	1800WX 483H X 510D	<b>HARDWARE AND ACCESSORIES</b>	OPTIONAL 90MM SPLASHBACK	
<b>CONFIGURATION</b>	ALL DOOR WALL HUNG			
VERSION 1	DATE 13/02/2020			



<b>PRODUCT</b>	CHARLESTON	<b>TOP</b>	90MM CHERRY PIE, FIDAY, CAESARSTONE	<b>NOTES:</b> DIMENSIONS ARE NOMINAL. DO NOT DRILL OR ROUGH IN UNTIL YOU HAVE RECIEVED AND MEASURED YOUR VANITY.  LEFT BASIN SHOWN. RIGHT BASIN IS SAME BUT MIRRORED.  *DRAWING APPLIES FOR CODES ENDING: CP, FR, CS
<b>CODE</b>	CHRFDS1800WHL*	<b>BASIN POSITION</b>	LEFT OFFSET	
<b>DIMENSIONS</b>	1800WX 483H X 510D	<b>HARDWARE AND ACCESSORIES</b>	OPTIONAL 90MM SPLASHBACK	
<b>CONFIGURATION</b>	ALL DOOR WALL HUNG			
<b>VERSION 1</b>	DATE 13/02/2020			