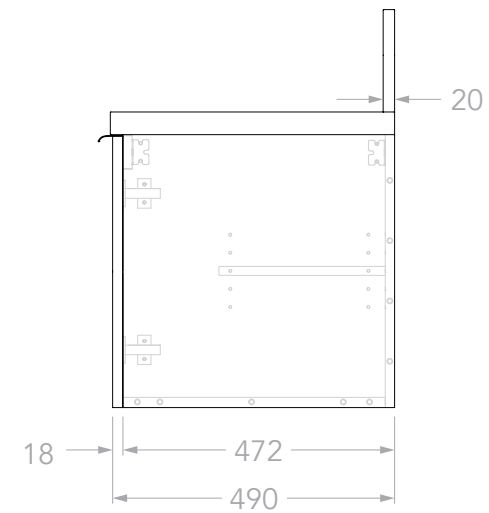
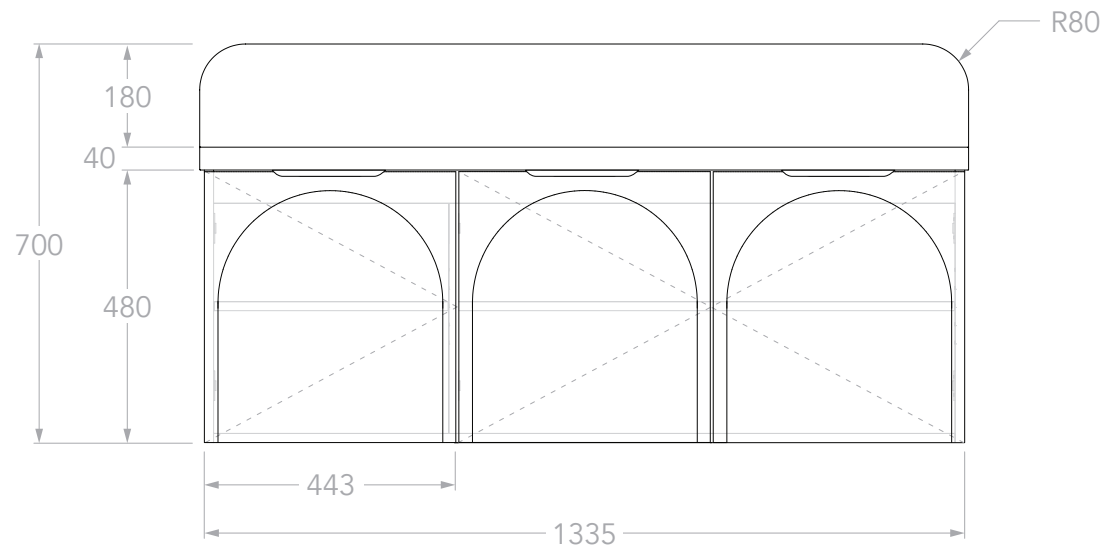
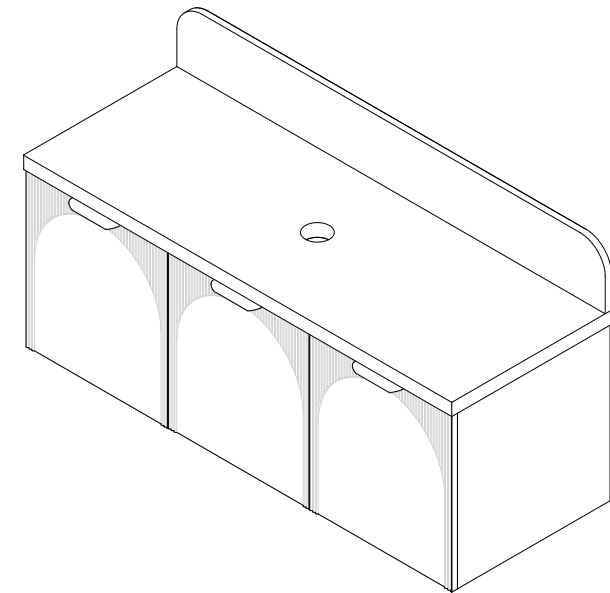
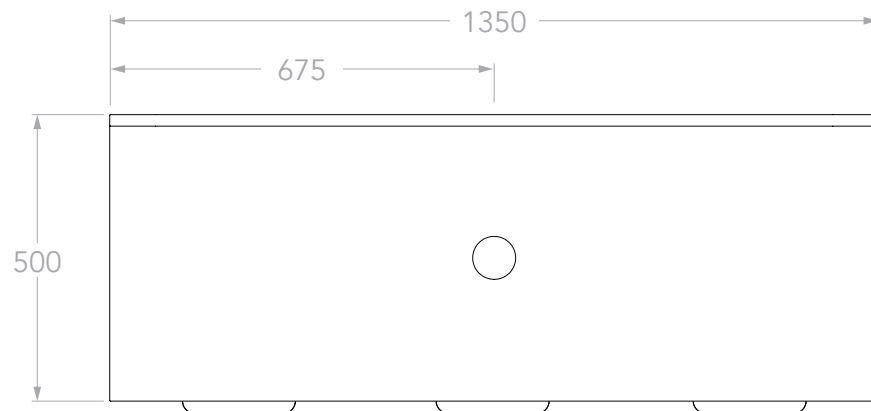


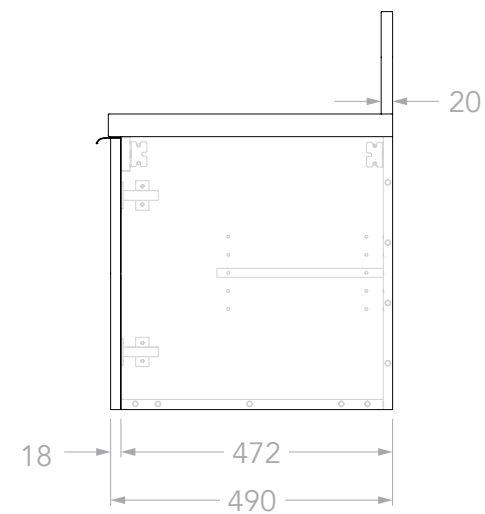
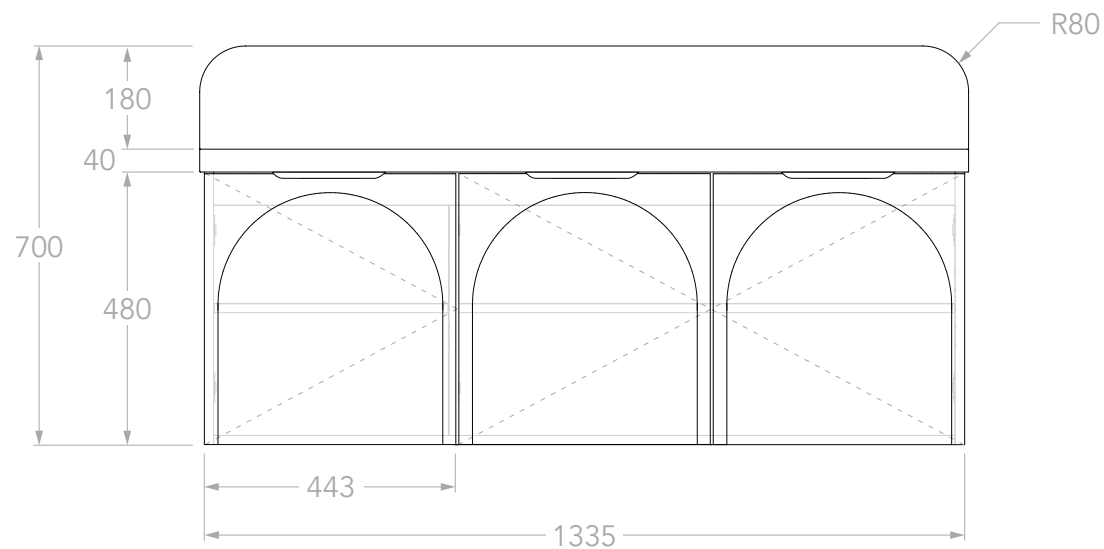
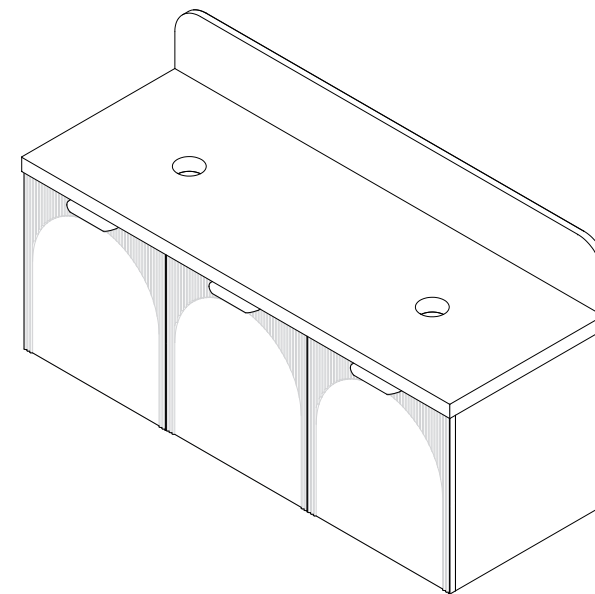
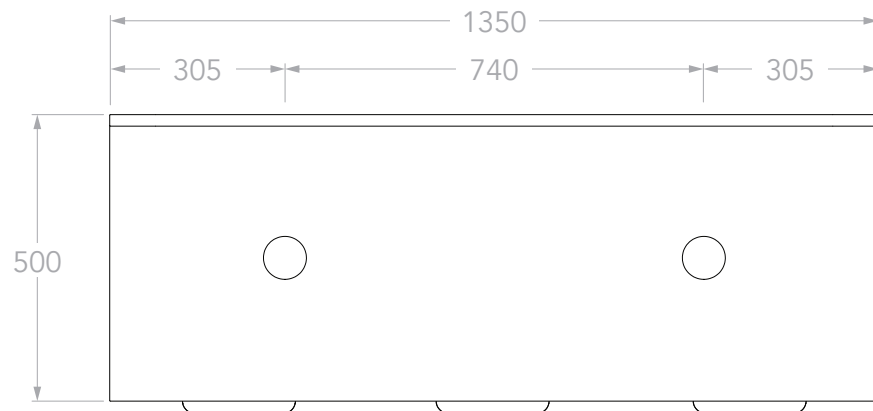
PRODUCT:	ARCHIE 900	TOP:	40MM SOLID SURFACE
SIZE:	905W x 500D x 700H	BASIN POSITION:	CENTRE
CONFIGURATION:	ALL DOOR, WALL HUNG	CODE:	ARCFDW0900WHCCP - (CHERRY PIE) ARCFDW0900WHCDU - (DURASEIN)
VERSION: 03	DATE: 17/01/2024		

NOTES:
 DIMENSIONS ARE NOMINAL. DO NOT DRILL OR ROUGH IN UNTIL YOU HAVE RECEIVED AND MEASURED YOUR VANITY.
 ALL DIMENSIONS ARE IN MILLIMETRES. DO NOT MEASURE FROM DRAWING.
 **FOR DURASEIN FINISHES 12MM MATERIAL THICKNESS. 20MM THICKNESS FOR ALL OTHER BENCHTOP FINISHES.



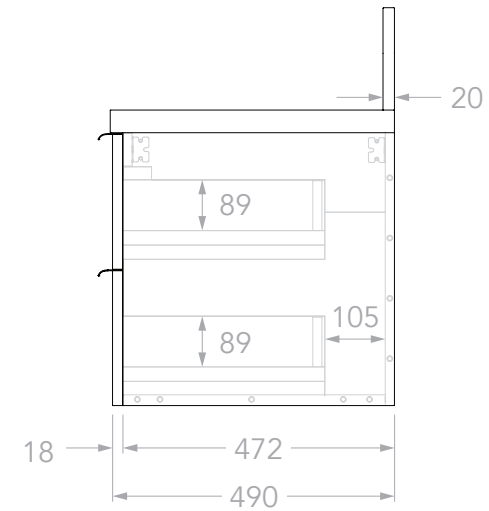
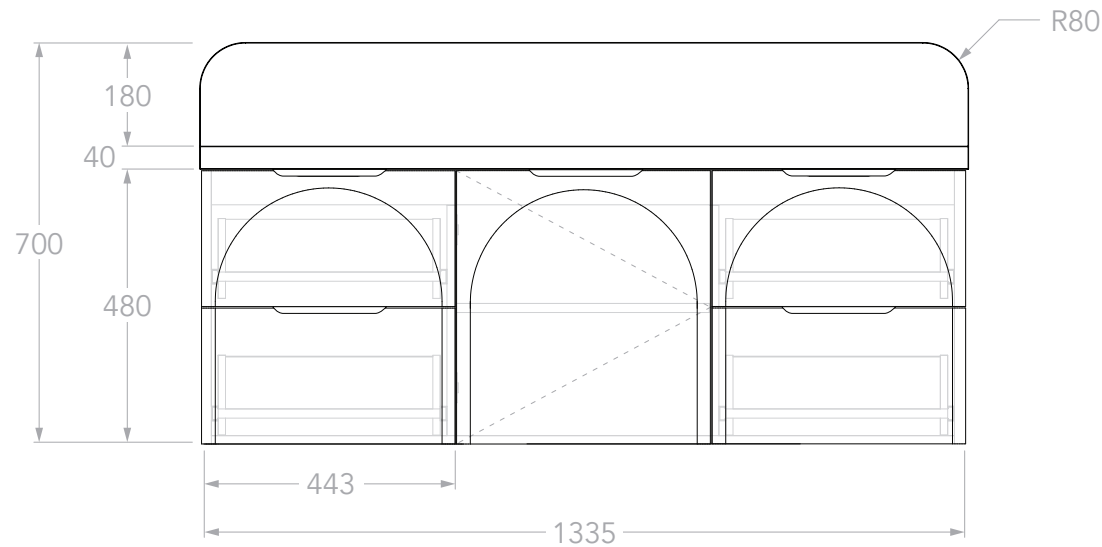
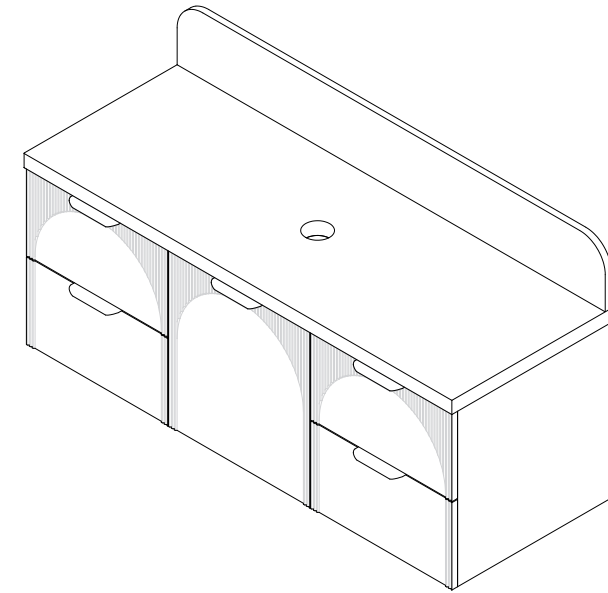
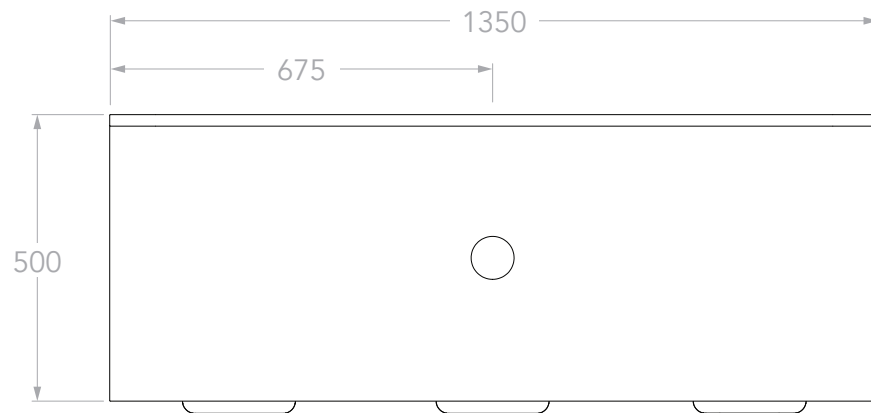
PRODUCT:	ARCHIE 1350 ALL-DOOR	TOP:	40MM SOLID SURFACE
SIZE:	905W x 500D x 700H	BASIN POSITION:	CENTRE
CONFIGURATION:	ALL DOOR, WALL HUNG	CODE:	ARCFDW1350WHCCP - (CHERRY PIE) ARCFDW1350WHCDU - (DURASEIN)
VERSION: 03	DATE: 17/01/2024		

NOTES:
 DIMENSIONS ARE NOMINAL. DO NOT DRILL OR ROUGH IN UNTIL YOU HAVE RECEIVED AND MEASURED YOUR VANITY.
 ALL DIMENSIONS ARE IN MILLIMETRES. DO NOT MEASURE FROM DRAWING.



PRODUCT:	ARCHIE 1350 ALL-DOOR	TOP:	40MM SOLID SURFACE
SIZE:	905W x 500D x 700H	BASIN POSITION:	DOUBLE
CONFIGURATION:	ALL DOOR, WALL HUNG	CODE:	ARCFDW1350WHDCP - (CHERRY PIE) ARCFDW1350WHDDU - (DURASEIN)
VERSION: 03	DATE: 17/01/2024		

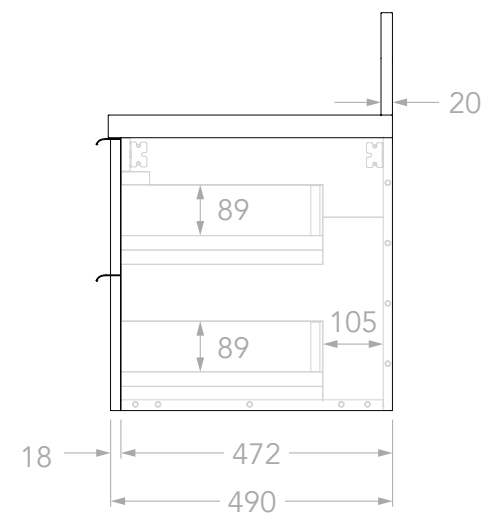
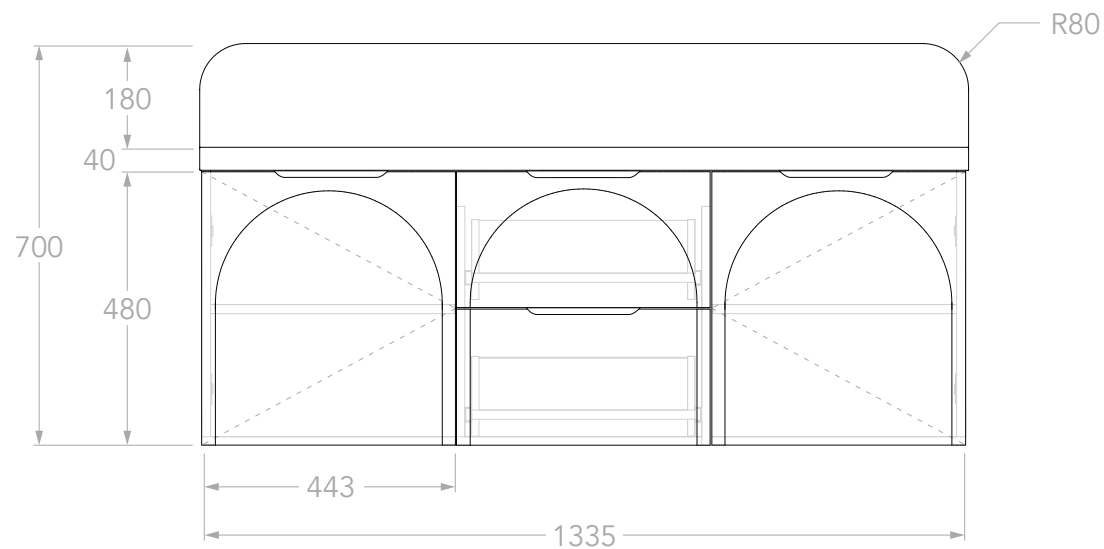
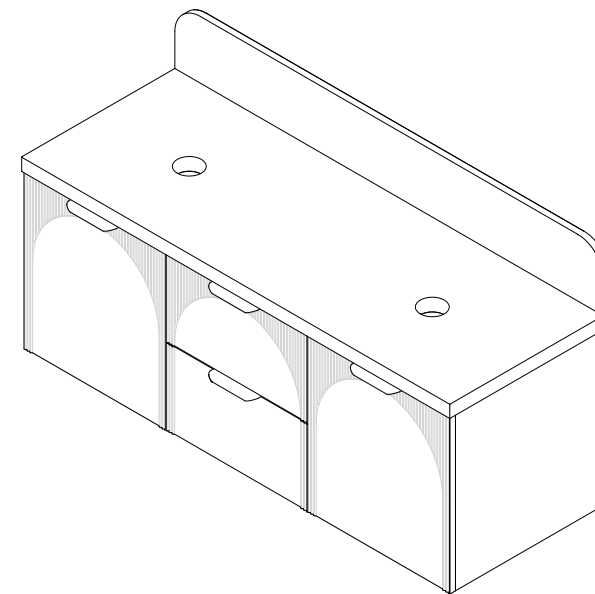
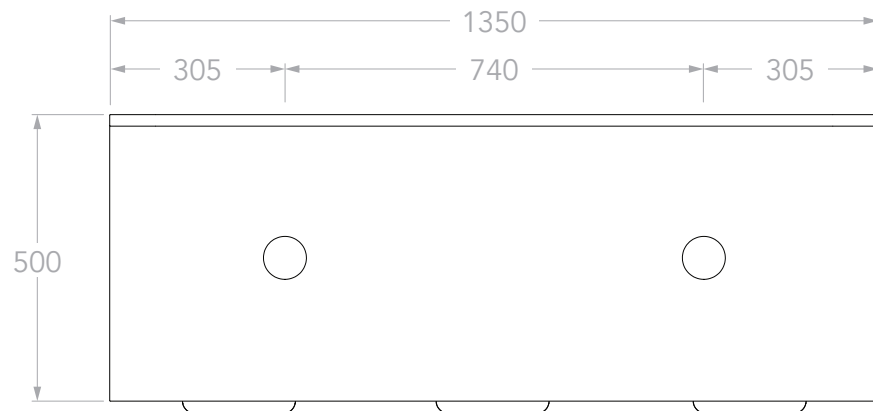
NOTES:	DIMENSIONS ARE NOMINAL. DO NOT DRILL OR ROUGH IN UNTIL YOU HAVE RECEIVED AND MEASURED YOUR VANITY. ALL DIMENSIONS ARE IN MILLIMETRES. DO NOT MEASURE FROM DRAWING.
--------	---



PRODUCT:	ARCHIE 1350 DOOR & DRAWER	TOP:	40MM SOLID SURFACE
SIZE:	905W x 500D x 700H	BASIN POSITION:	CENTRE
CONFIGURATION:	DOOR & DRAWER, WALL HUNG	CODE:	ARCFW1350WHCCP - (CHERRY PIE) ARCFW1350WHCDU - (DURASEIN)
VERSION: 03	DATE: 17/01/2024		

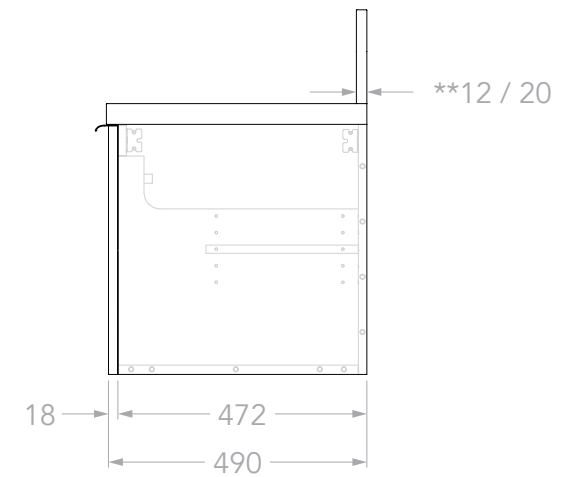
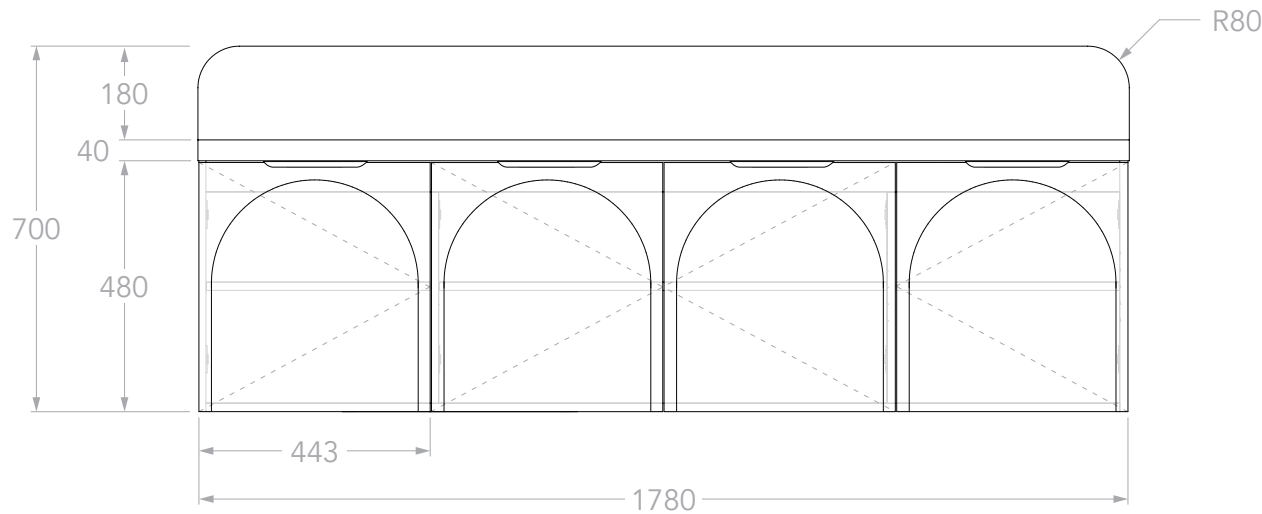
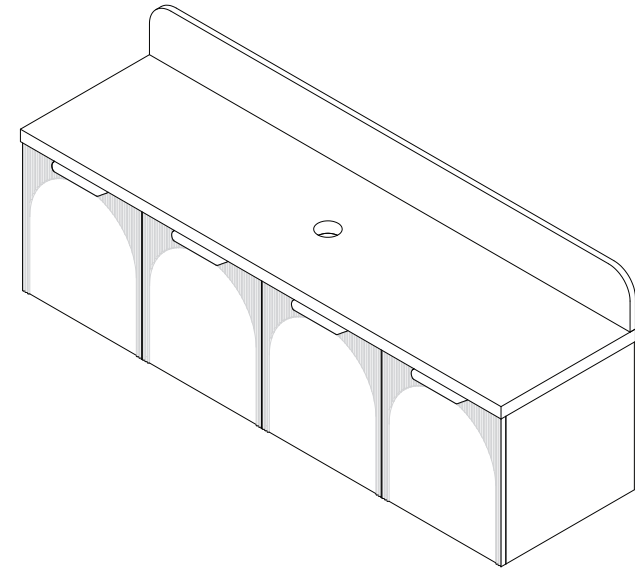
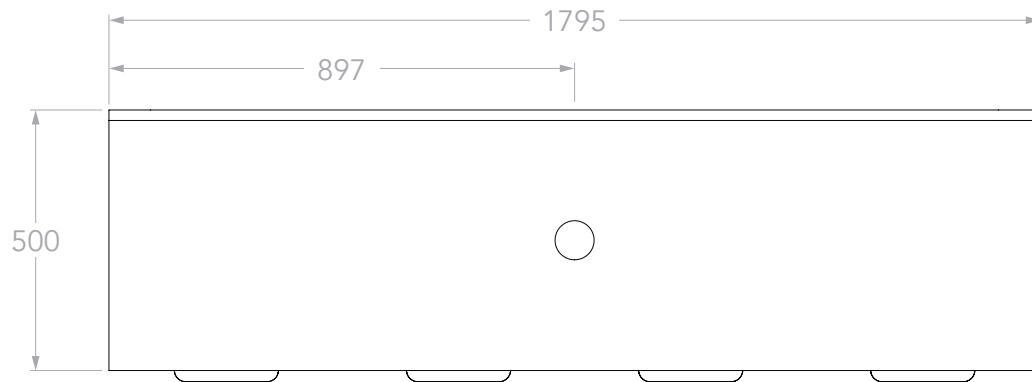
NOTES:

DIMENSIONS ARE NOMINAL. DO NOT DRILL OR ROUGH IN UNTIL YOU HAVE RECEIVED AND MEASURED YOUR VANITY.
ALL DIMENSIONS ARE IN MILLIMETRES. DO NOT MEASURE FROM DRAWING.



PRODUCT:	ARCHIE 1350 DOOR & DRAWER	TOP:	40MM SOLID SURFACE
SIZE:	905W x 500D x 700H	BASIN POSITION:	DOUBLE
CONFIGURATION:	DOOR & DRAWER, WALL HUNG	CODE:	ARCFW1350WHDCP - (CHERRY PIE) ARCFW1350WHDDU - (DURASEIN)
VERSION: 03	DATE: 17/01/2024		

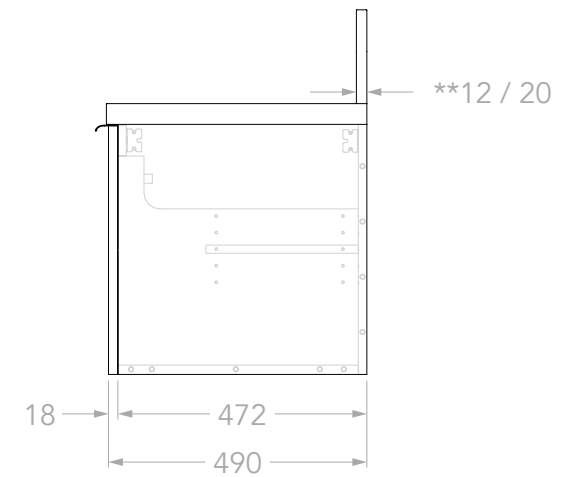
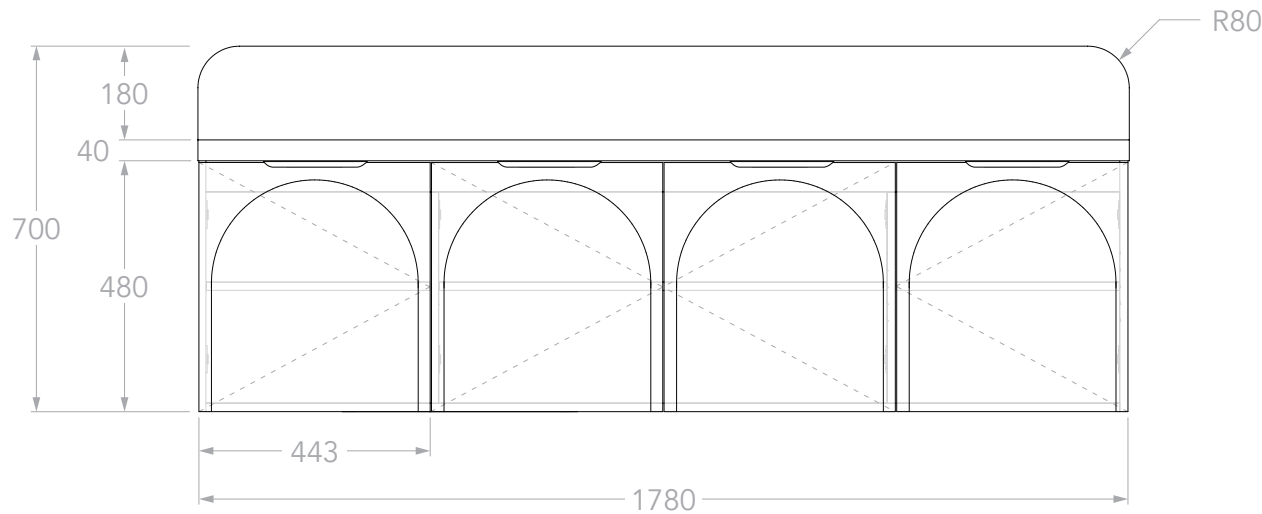
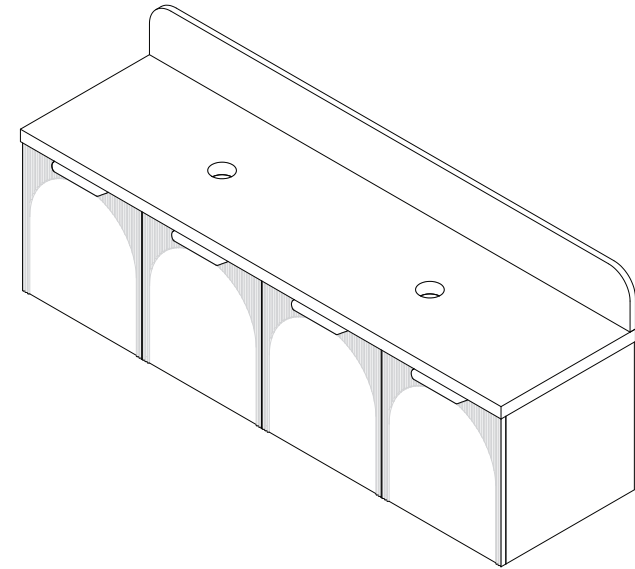
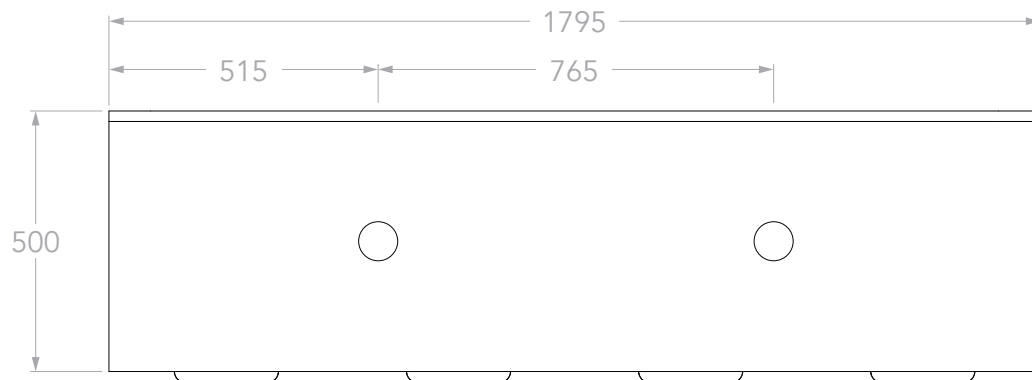
NOTES:
 DIMENSIONS ARE NOMINAL. DO NOT DRILL OR ROUGH IN UNTIL YOU HAVE RECEIVED AND MEASURED YOUR VANITY.
 ALL DIMENSIONS ARE IN MILLIMETRES. DO NOT MEASURE FROM DRAWING.



Adp

PRODUCT:	ARCHIE 1800 ALL-DOOR	TOP:	40MM SOLID SURFACE
SIZE:	1795W x 500D x 700H	BASIN POSITION:	CENTRE
CONFIGURATION:	ALL DOOR, WALL HUNG	CODE:	ARCFDW1800WHCCP - (CHERRY PIE) ARCFDW1800WHCDU - (DURASEIN)
VERSION: 04	DATE: 17/01/2024		

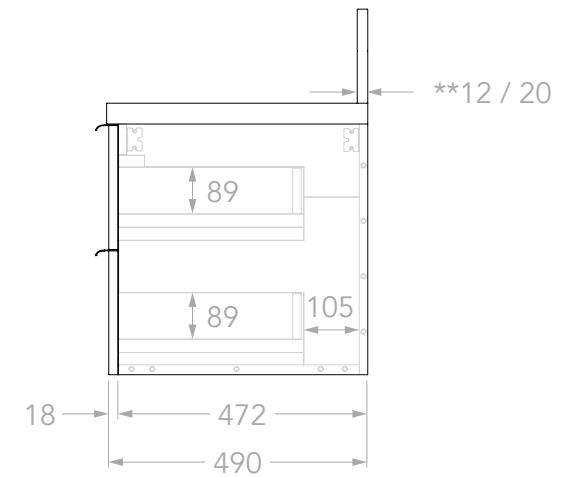
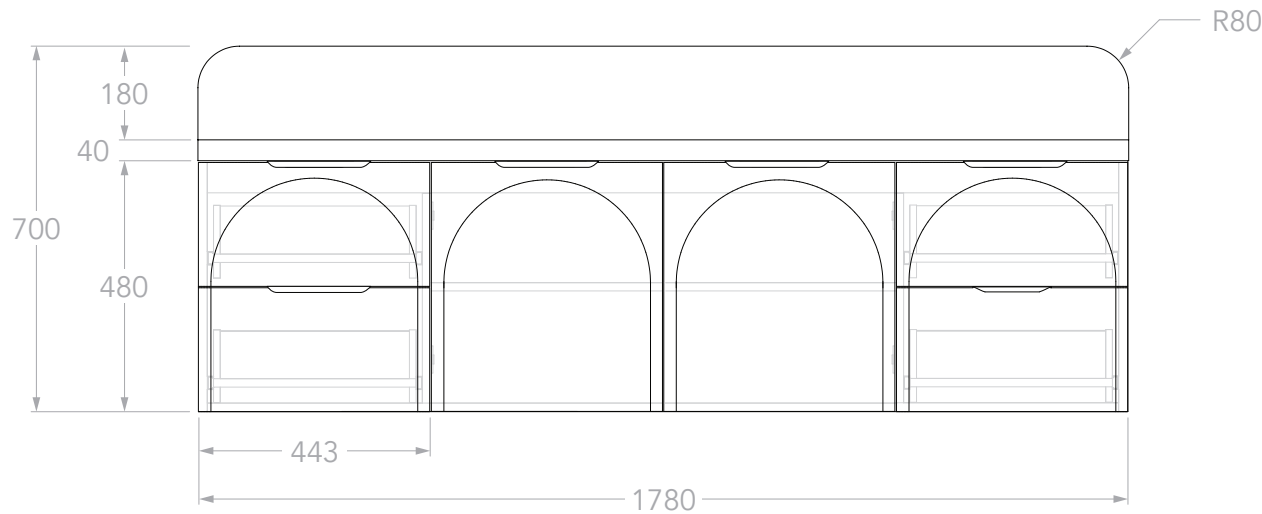
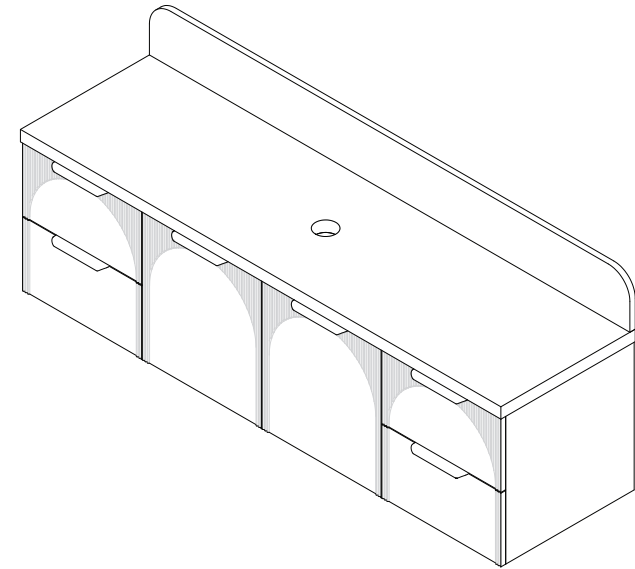
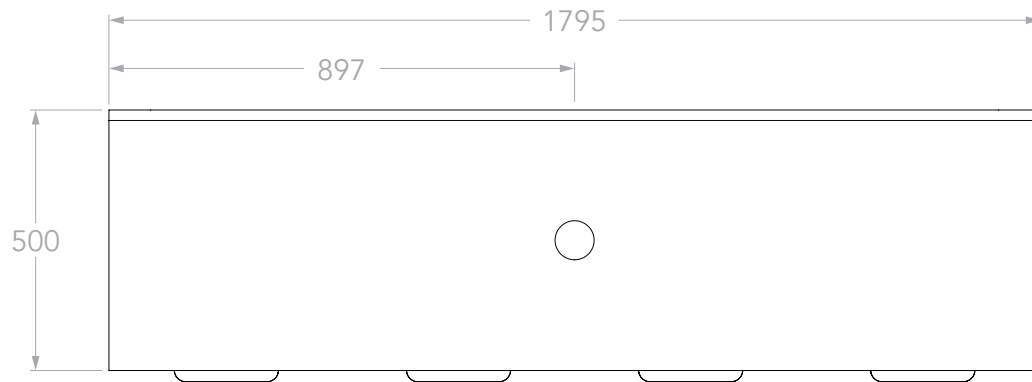
NOTES:
 DIMENSIONS ARE NOMINAL. DO NOT DRILL OR ROUGH IN UNTIL YOU HAVE RECEIVED AND MEASURED YOUR VANITY.
 ALL DIMENSIONS ARE IN MILLIMETRES. DO NOT MEASURE FROM DRAWING.
 **FOR DURASEIN FINISHES 12MM MATERIAL THICKNESS. 20MM THICKNESS FOR ALL OTHER BENCHTOP FINISHES.



Adp

PRODUCT:	ARCHIE 1800 ALL-DOOR	TOP:	40MM SOLID SURFACE
SIZE:	1795W x 500D x 700H	BASIN POSITION:	DOUBLE
CONFIGURATION:	ALL DOOR, WALL HUNG	CODE:	ARCFDW1800WHDCP - (CHERRY PIE) ARCFDW1800WHDDU - (DURASEIN)
VERSION:	04	DATE:	17/01/2024

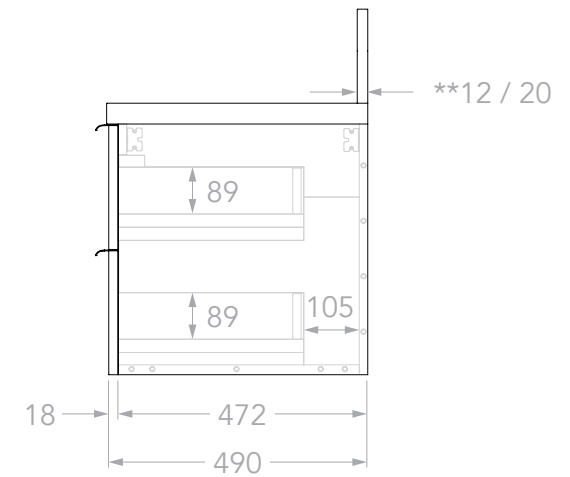
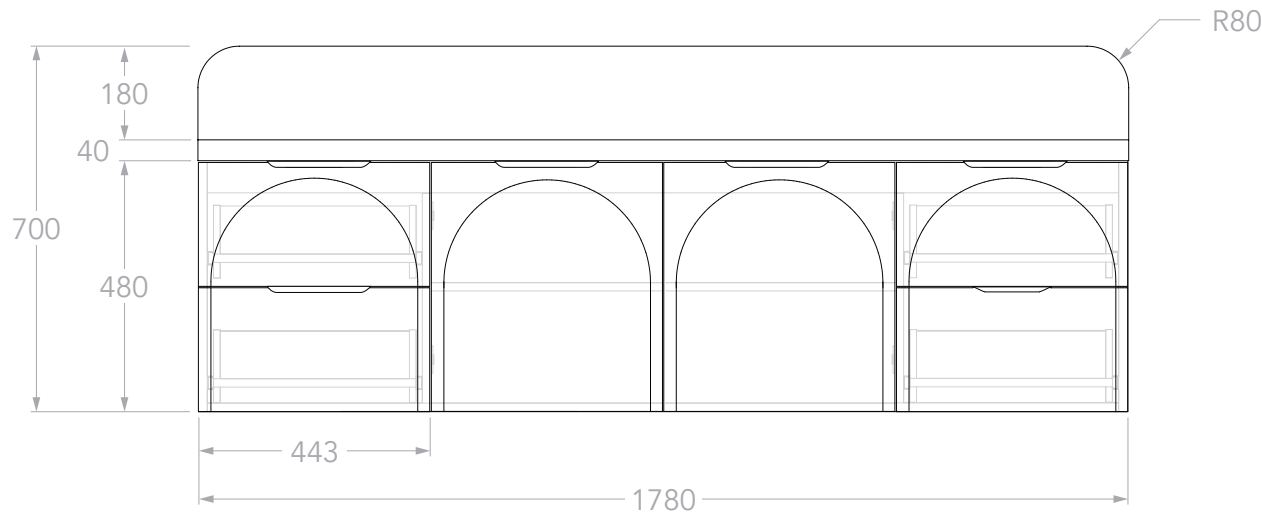
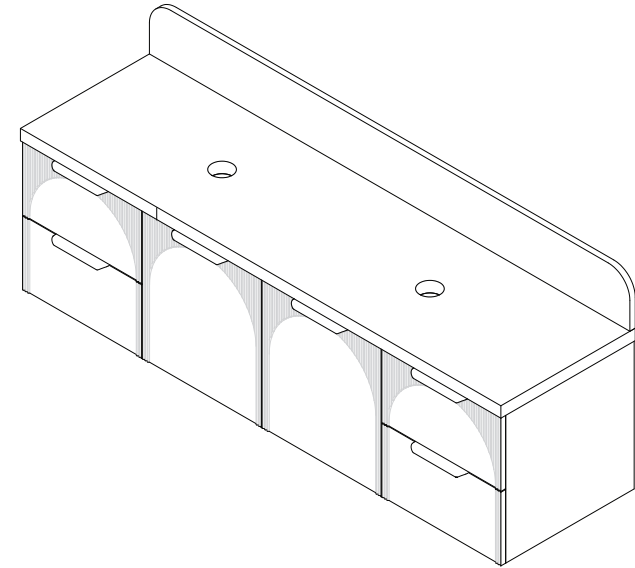
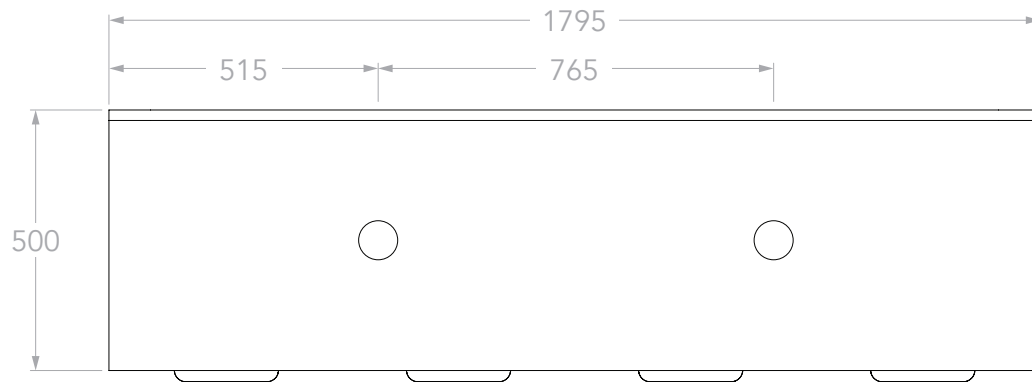
NOTES:
 DIMENSIONS ARE NOMINAL. DO NOT DRILL OR ROUGH IN UNTIL YOU HAVE RECEIVED AND MEASURED YOUR VANITY.
 ALL DIMENSIONS ARE IN MILLIMETRES. DO NOT MEASURE FROM DRAWING.
 **FOR DURASEIN FINISHES 12MM MATERIAL THICKNESS. 20MM THICKNESS FOR ALL OTHER BENCHTOP FINISHES.



Adp

PRODUCT:	ARCHIE 1800 DOOR & DRAWER	TOP:	40MM SOLID SURFACE
SIZE:	1795W x 500D x 700H	BASIN POSITION:	CENTRE
CONFIGURATION:	DOOR & DRAWER, WALL HUNG	CODE:	ARCFW1800WHCCP - (CHERRY PIE) ARCFW1800WHCDU - (DURASEIN)
VERSION: 04	DATE: 17/01/2024		

NOTES:
 DIMENSIONS ARE NOMINAL. DO NOT DRILL OR ROUGH IN UNTIL YOU HAVE RECEIVED AND MEASURED YOUR VANITY.
 ALL DIMENSIONS ARE IN MILLIMETRES. DO NOT MEASURE FROM DRAWING.
 **FOR DURASEIN FINISHES 12MM MATERIAL THICKNESS. 20MM THICKNESS FOR ALL OTHER BENCHTOP FINISHES.



Adp

PRODUCT:	ARCHIE 1800 DOOR & DRAWER	TOP:	40MM SOLID SURFACE
SIZE:	1795W x 500D x 700H	BASIN POSITION:	DOUBLE
CONFIGURATION:	DOOR & DRAWER, WALL HUNG	CODE:	ARCFW1800WHDCP - (CHERRY PIE) ARCFW1800WHDDU - (DURASEIN)
VERSION: 04	DATE: 17/01/2024		

NOTES:
 DIMENSIONS ARE NOMINAL. DO NOT DRILL OR ROUGH IN UNTIL YOU HAVE RECEIVED AND MEASURED YOUR VANITY.
 ALL DIMENSIONS ARE IN MILLIMETRES. DO NOT MEASURE FROM DRAWING.
 **FOR DURASEIN FINISHES 12MM MATERIAL THICKNESS. 20MM THICKNESS FOR ALL OTHER BENCHTOP FINISHES.