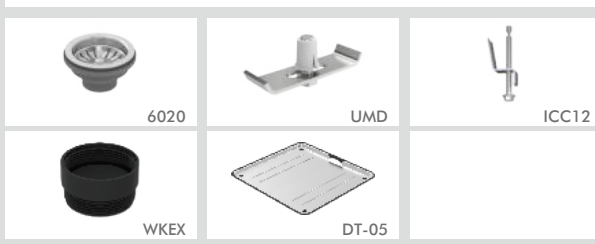




Model Code: NL180

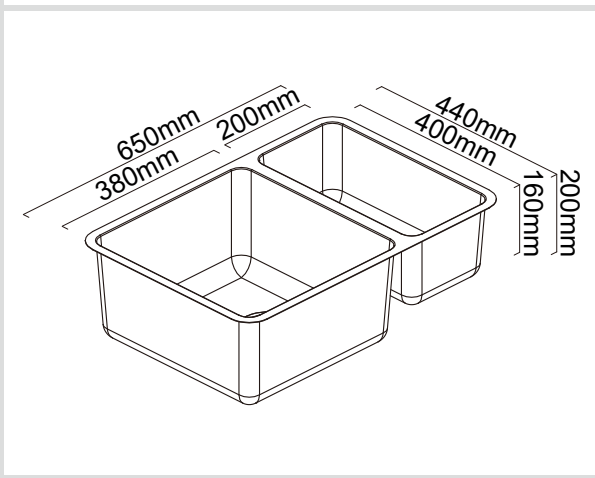
Included Accessories



Optional Accessories



Dimensions



Specifications

| | |
|-------------------|--|
| Description | One and ¾ bowl, Inset/Undermount |
| Overall Sink Size | 650mm x 440mm x 200mm deep |
| Bowl Dimensions | 380mm x 400mm x 200mm deep 200mm x 400mm x 160mm deep |
| Drainer Length | N/A |
| Technic | Pressed |
| Material | Stainless steel SUS304 |

Installation

| | |
|------------------|--|
| Fixings | Inset & Undermount clips supplied |
| Template | Supplied |
| Min Cabinet Size | 700mm |
| Waste Holes | 2 x 90mm round Compatible with waste disposal |
| Sealing Strip | N/A |

Plumbing

| | |
|----------------|--|
| Waste Fittings | 2 x (90mm x 2") basket wastes included |
|----------------|--|

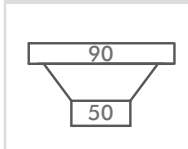
Packaging

| | |
|--------------|------------------------------------|
| Carton Type | EPS protection & Individual carton |
| Gross Weight | 9.8Kg |
| Carton Size | 720mm x 515mm x 300mm |
| Pack QTY | 1 |

SURFACE FINISH



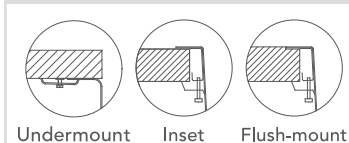
WASTE KIT



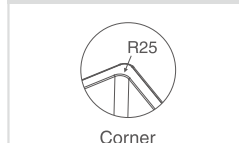
MATERIAL



INSTALLATION OPTIONS



PROFILE



Abey are Australia's leaders in sinkware, designing and manufacturing to the world's highest quality specifications as well as sourcing and bringing you Europe's very best, leading edge designs – practical, affordable, inspirational, stylish, timeless or cutting edge. When you buy an Abey stainless steel sink you receive the highest quality and a 25 year warranty. Abey and the manufacturer are continually seeking ways to improve the design specifications, aesthetic and production techniques of the products. As a result, alterations to the specifications and dimensions of the products and designs occur continually.